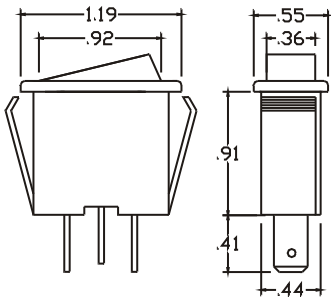
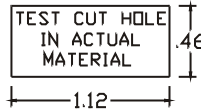


Series 41 Single Pole Rocker Switches

Dimensions:



Panel Cutout:



Button Styles:



Approvals:

- U.L.....15A 125VAC/7.5A 250VAC inductive
- U.L.....6A 14 VT(Tungsten)
- U.L.....6A 28 VDC
- U.L.....3A 125 V "L" (Lamp)
- CSA.....15A 125 VAC 1/2 H.P./8A 250 VAC
- VDE.....10 (4) 250 VAC
- SECV.....15A 250 VAC (12A only for 3 position)

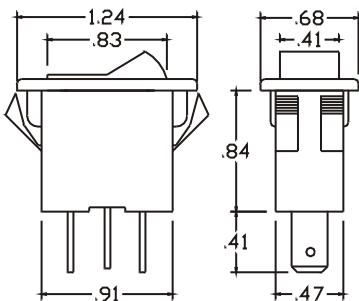
734423-001-01

Base No.	Termination & Current Rating	Lamp Voltage or Special Variation	Circuit Codes	Body Color	Button Type	Button Color
7344	14 = 6A 14 V Tungsten / 6A 28 VDC U.L. .250 Q.C. 23 = 15A 125VAC/7.5A 250 VAC U.L. 15A 125VAC/8A 250 VAC 1/2 hp CSA .250 Q.C. Terminals	0 = Standard non-illuminated or 240V illumination 1 = 110 V illumination 2 = 24/28V illumination 3 = 12V illumination 8 = Special Part Number	0 = SPST Off-On 1 = SPDT On-On 2 = SPST Off-On illuminated 3 = SPDT On-On both illuminated 4 = SPST Off-(On) 5 = SPDT On-(On) 6 = SPDT On-Off-On	1 = Black 4 = Brown 9 = White	0 = VEE 1 = Flat 2 = Scallop 5 = Wide Curve 6 = Wide Curve with Interlock tab	1 = Black 2 = Red illuminated 3 = Amber illuminated 4 = Brown 5 = Green illuminated 6 = Blue illuminated 7 = Tam 9 = White 21 = Red

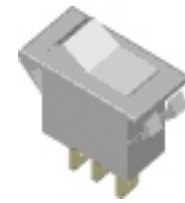
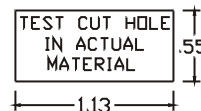
() Denotes momentary

Series 43 Single Pole Rocker Switches

Dimensions:



Panel Cutout:



Button Styles:



Approvals:

- U.L.....15A 125VAC/7.5A 250VAC inductive
- U.L.....6A 14 VT(Tungsten)
- U.L.....6A 28 VDC
- U.L.....3A 125 V "L" (Lamp)
- CSA.....15A 125 VAC 1/2 H.P./8A 250 VAC
- VDE.....10 (4) 250 VAC

735023-001-91

Base No.	Termination & Current Rating	Lamp Voltage or Special Variation	Circuit Codes	Body Color	Button Type	Button Color
7350	14 = 6A 14VT(Tungsten)/ 6A 28VDC U.L. .250 Q.C. Terminals 20 = 15A 125VAC/7.5A 250 VAC U.L. Wire Leads, 6" 14AWG 23 = 15A 125VAC/7.5A 250 VAC .250 Q.C. Terminals 24 = 15A 125VAC/7.5A 250 VAC Solder Terminals	0 = Standard non-illuminated or 240V illumination 1 = 110V illumination 2 = 24/28V illumination 3 = 12V illumination 8 = Special Part Number	0 = SPST Off-On 1 = SPDT On-On 4 = SPDT On-Off-On 6 = SPDT On-Off-On for 120/240V. 8 = SPDT Off-On illuminated 11 = SPDT On-(On)	0= Black (matte) 1 = Black (gloss) 4 = Brown 7 = Electrical Ivory 8 = White (matte) 9 = White (gloss)	1 = Flat 2 = VEE 9 = Scallop	1 = Black 2 = Red illuminated 3 = Amber illuminated 4 = Brown 5 = Green illuminated 6 = Blue illuminated 7 = Electrical Ivory 9 = White 21 = Red

() Denotes momentary