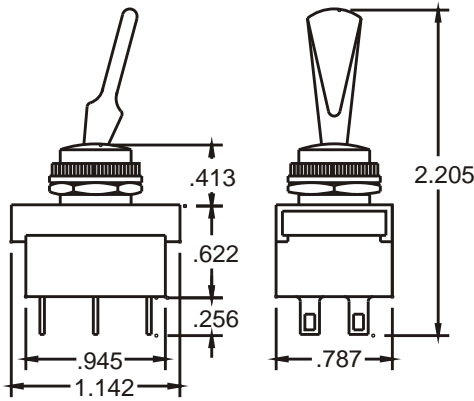
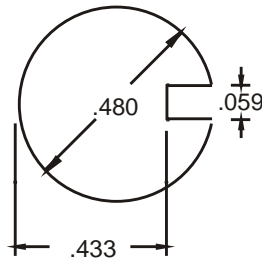


# R13-25 Toggle Switches

Dimensions:



Panel Cutout:



Approvals:

UL.....10A 125 VAC  
6A 250 VAC  
CSA...10A 125 VAC  
6A 250 VAC

Electrical Specifications:

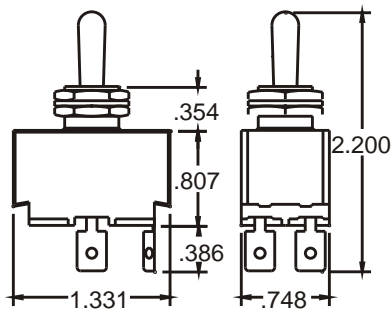
Contact Resistance.....50 Milliohms (Maximum)  
Insulation Resistance.....100 Megaohms (Minimum)  
Dielectric Strength.....1000 VAC 1 Minute

R13-25- E-1 - 1

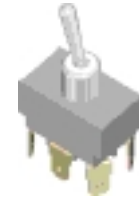
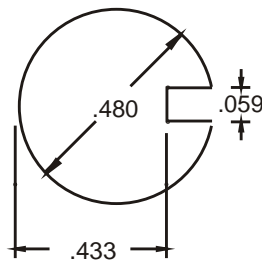
Base No	Circuit Codes	Rating	Terminals	Handle Color
R13-25	A = SPST On-Off B = DPDT On-On C = SPDT On-On D = SPDT On-Off-On E = DPDT On-Off-On	10 125 VAC 6A 250 VAC	1 = Quick Connect 2 = Screw 3 = Solder	1 = Black 2 = Red

# R13-28 Toggle Switches

Dimensions:



Panel Cutout:



Approvals:

TWO POSITION  
UL.....15A 125 VAC / 10A 250 VAC  
CSA....15A 125 VAC / 10A 250 VAC  
THREE POSITION  
UL.....10A 125 VAC / 5A 250 VAC  
CSA....10A 125 VAC / 5A 250 VAC

Electrical Specifications:

Contact Resistance.....50 Milliohms (Maximum)  
Insulation Resistance.....100 Megaohms (Minimum)  
Dielectric Strength.....1500 VAC 1 Minute

R13-28 - A - 1

Base No	Circuit Codes	Rating	Terminals
R13-28	A = SPST On-Off B = DPDT On-On C = SPDT On-On D = SPDT On-Off-On E = SPST On-Off-On F = DPST On-Off G = SPDT (On)-Off-(On) H = SPDT On-Off-(On) I = SPDT On-(On)	TWO POSITION 15A 125 VAC 10A 250 VAC THREE POSITION 10A 125 VAC 5A 250 VAC	1 = Quick Connect 2 = Screw 3 = Solder

NOTE: ( ) denotes Momentary