

# 28-3P-MOM

Toggle Switch, 30A DPST 3-Position  
Momentary On-Off-Momentary On

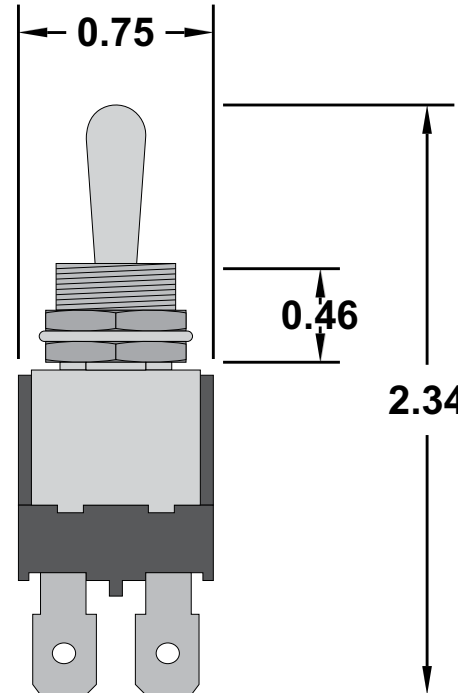
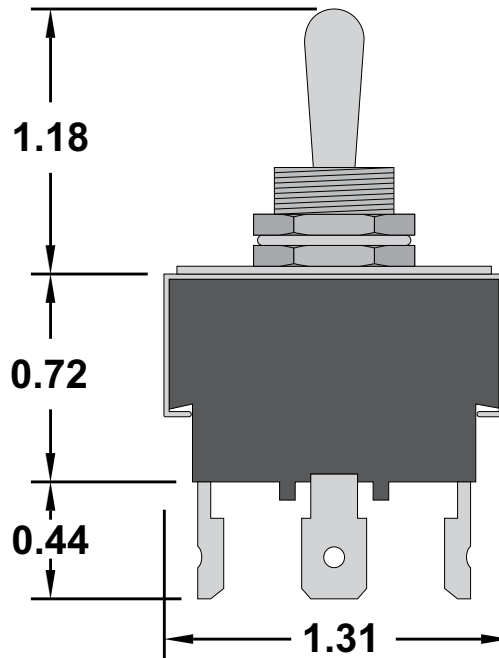
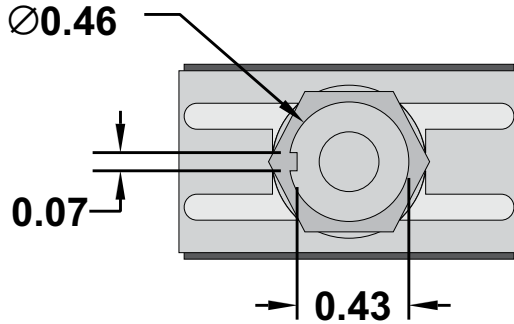
<https://www.gamainc.com/product/28-3p-mom/>

## Available Accessories

- Waterproof Boot ([W-70B](#))
- Mounting Plate ([438-MP](#))
- Toggle Guard ([438-TG](#))
- Accessory Pack ([438-AP](#))

# GAMA ELECTRONICS

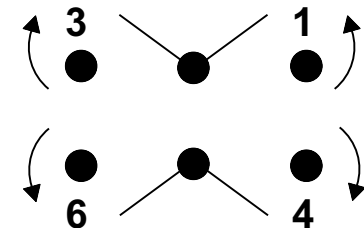
P.O. Box 1488, Crystal Lake, IL 60039  
Phone: 815-356-9600  
Fax: 815-356-9603  
Email: [gama@gamainc.com](mailto:gama@gamainc.com)  
[www.gamainc.com](http://www.gamainc.com)



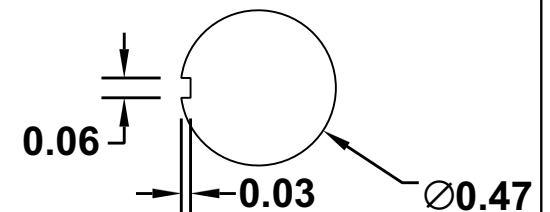
## Specifications

- DPDT
- 15A @ 125VAC, 10A @ 250VAC, 30A @ 12VDC, 1 1/2 HP
- Mounts in a .48 diameter hole and it has 1/4 quick connect terminals
- UL & CSA Approved

## Circuit Diagram



## Mounting Hole



Drawn By: KEG

Information contained herein is proprietary information of GAMA Electronics Inc. The dissemination use or duplication of this information, for any purpose other than that for which the information is provided, is prohibited except by express written permission.

All dimensions are in inches and have a +/- .015" tolerance unless otherwise specified.

Rev: A

Pg. 1 of 1

Release Date: 04/27/20

Third Angle Projection

