

041-BB

Mini Rocker Switch, 10A SPDT 3-Position
Momentary On-Off-Momentary On

<https://www.gamainc.com/product/041-bb/>

Available Accessories

- 1-Gang Panel ([66-1G](#))
- 2-Gang Panel ([66-2G](#))
- 3-Gang Panel ([66-3G](#))

GAMA ELECTRONICS

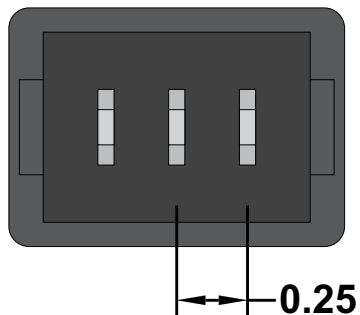
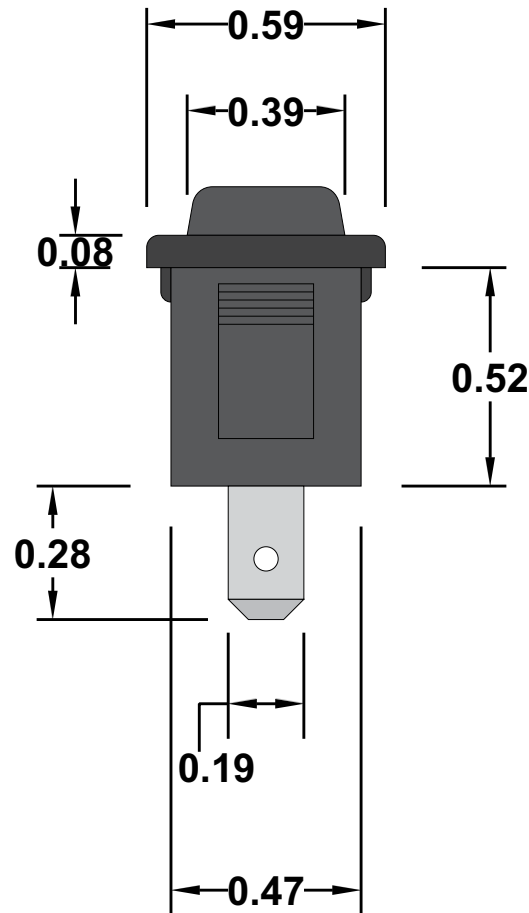
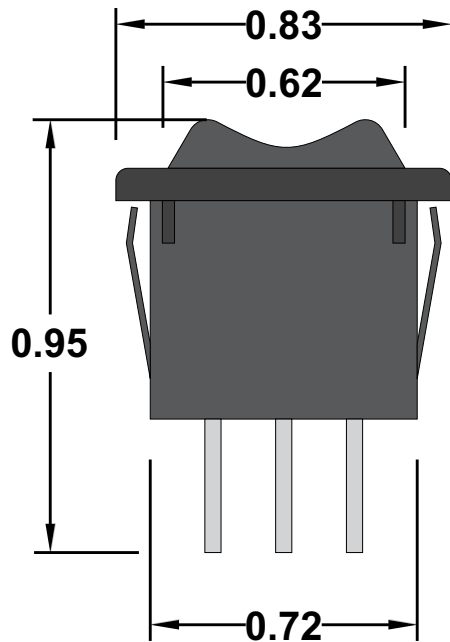
P.O. Box 1488, Crystal Lake, IL 60039

Phone: 815-356-9600

Fax: 815-356-9603

Email: gama@gamainc.com

www.gamainc.com



Specifications

•Circuit Code: Single Pole Double Throw (On)-Off-(On)*

*() Denotes Momentary

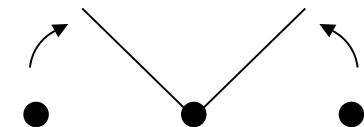
•Rating: 10A 125VAC, 6A 250VAC, 16A 12VDC, 6A 28VDC

•Terminals: 3/16" Quick Connect

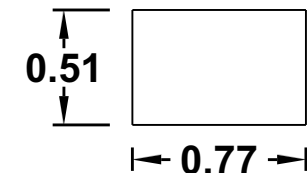
•UL, CSA & CE Approved.

•Black Body & Button

Circuit Diagram



Panel Cutout



Drawn By: KEG

Information contained herein is proprietary information of GAMA Electronics Inc. The dissemination use or duplication of this information, for any purpose other than that for which the information is provided, is prohibited except by express written permission.

All dimensions are in inches and have a +/- .015" tolerance unless otherwise specified.

Rev: 0

Pg. 1 of 1

Release Date: 06/18/20

Third Angle Projection

