

129-PR-MOM

Rocker Switch, 30 Amp Reverse Polarity
DC Motor Control – Momentary

<https://www.gamainc.com/product/129-pr-mom/>

Available Accessories

- 1-Gang Panel ([232-1G](#))
- 2-Gang Panel ([232-2G](#))
- 3-Gang Panel ([232-3G](#))

GAMA ELECTRONICS

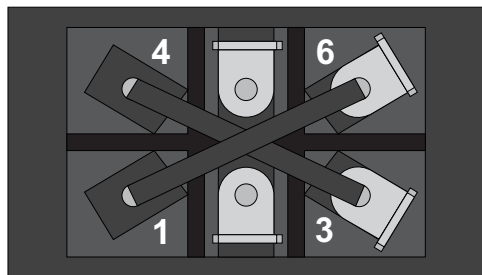
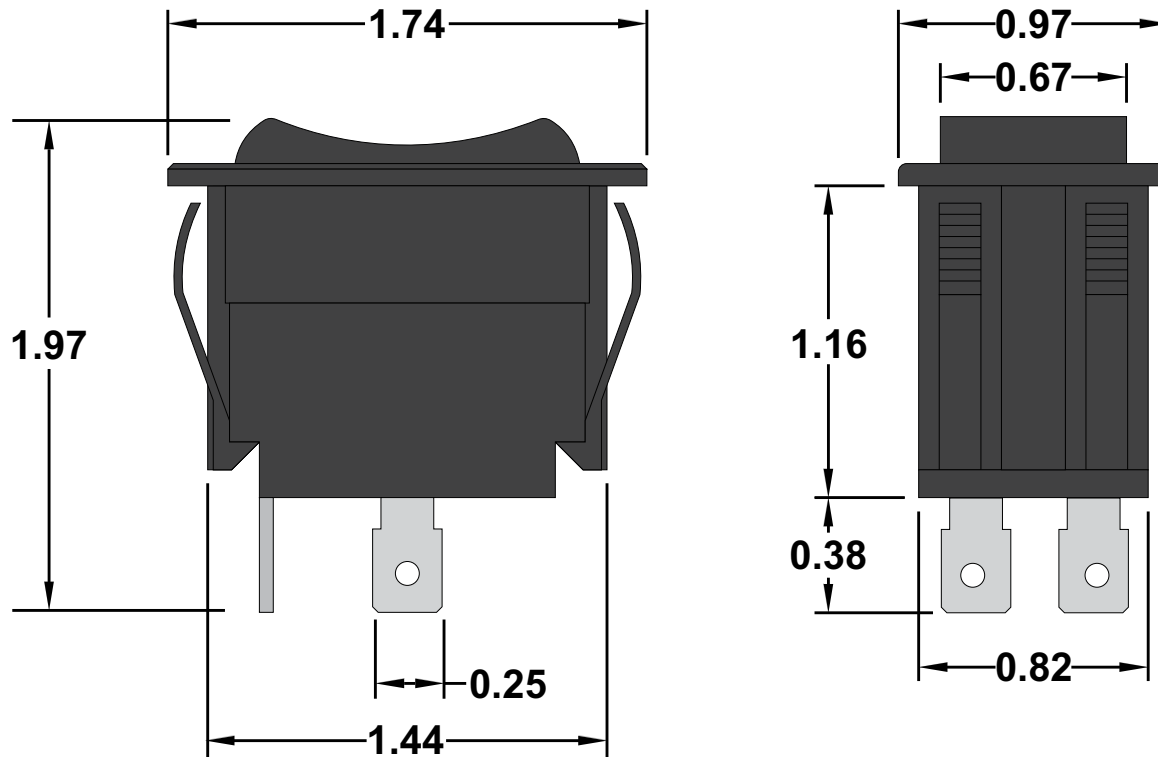
P.O. Box 1488, Crystal Lake, IL 60039

Phone: 815-356-9600

Fax: 815-356-9603

Email: gama@gamainc.com

www.gamainc.com



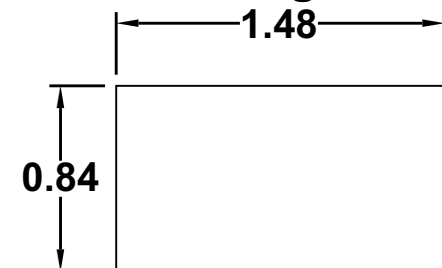
Specifications

- DPDT Momentary On-Off-Momentary On
- Rated at 30 amp @12VDC
- Internal gasket keeps water & dust out of contacts
- 0.83 x 1.48 inch mounting hole.
- 1/4" quick connect terminals.

Circuit Diagram

Terminal 3: +12VDC
Terminal 6: Ground
Terminal 2 & 5: Motor

Mounting Hole



Drawn By: KEG

Information contained herein is proprietary information of GAMA Electronics Inc. The dissemination use or duplication of this information, for any purpose other than that for which the information is provided, is prohibited except by express written permission.

All dimensions are in inches and have a +/- .015" tolerance unless otherwise specified.

Rev: A

Pg. 1 of 1

Release Date: 08/03/18

Third Angle Projection

