

129E-BB

Rocker Switch, 30 Amp DPDT On-Off-On

<https://www.gamainc.com/product/129e-bb/>

GAMA ELECTRONICS

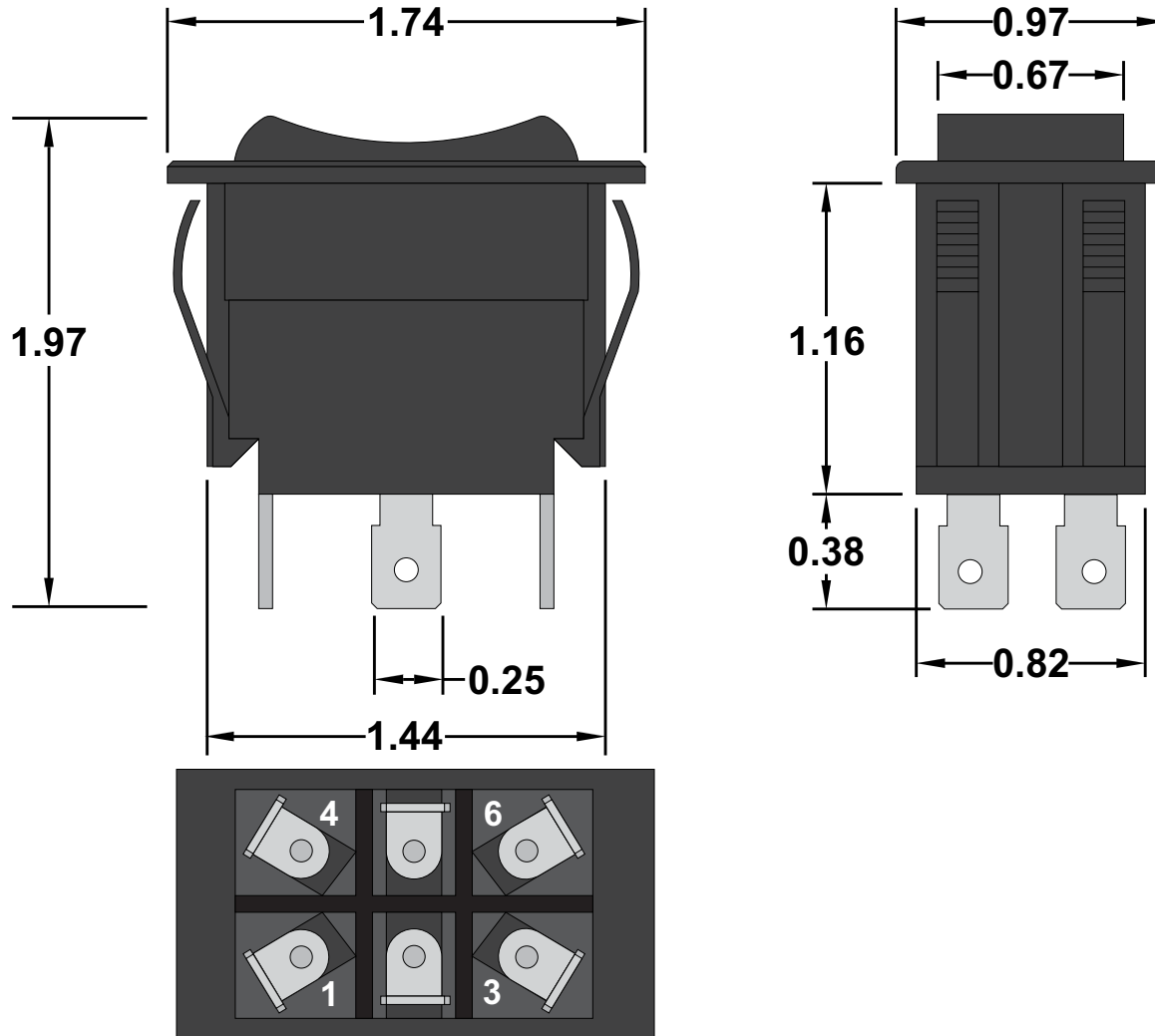
P.O. Box 1488, Crystal Lake, IL 60039

Phone: 815-356-9600

Fax: 815-356-9603

Email: gama@gamainc.com

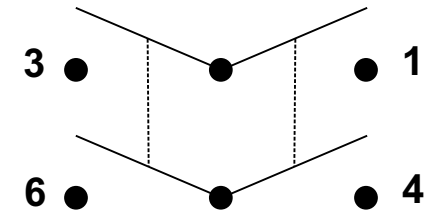
www.gamainc.com



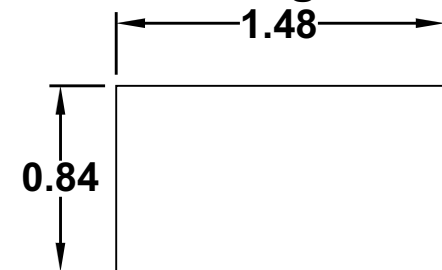
Specifications

- DPDT On-Off-On
- Rated at 30 amp @12VDC, 15 amp @ 125VAC, 10 amp @ 250VAC.
- Internal gasket keeps water & dust out of contacts
- 0.83 x 1.48 inch mounting hole.
- 1/4" quick connect terminals.

Circuit Diagram



Mounting Hole



Drawn By: KEG

Information contained herein is proprietary information of GAMA Electronics Inc. The dissemination use or duplication of this information, for any purpose other than that for which the information is provided, is prohibited except by express written permission.

All dimensions are in inches and have a +/- .015" tolerance unless otherwise specified.

Rev: A

Pg. 1 of 1

Release Date: 08/03/18

Third Angle Projection

