

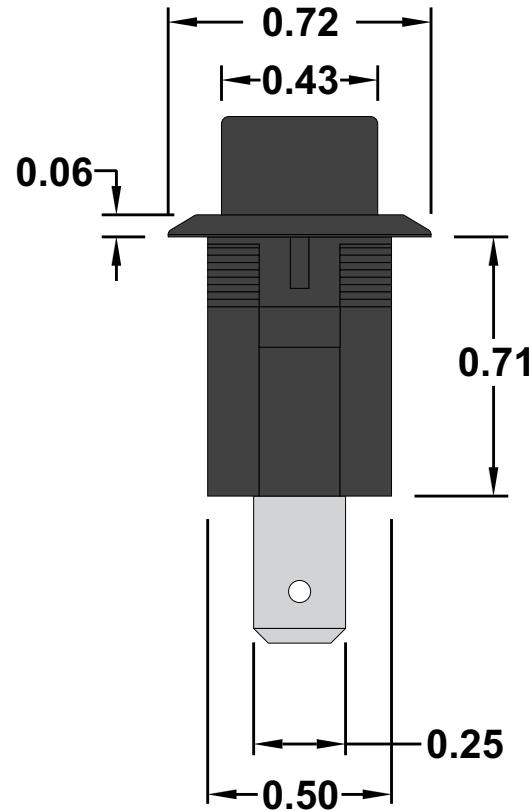
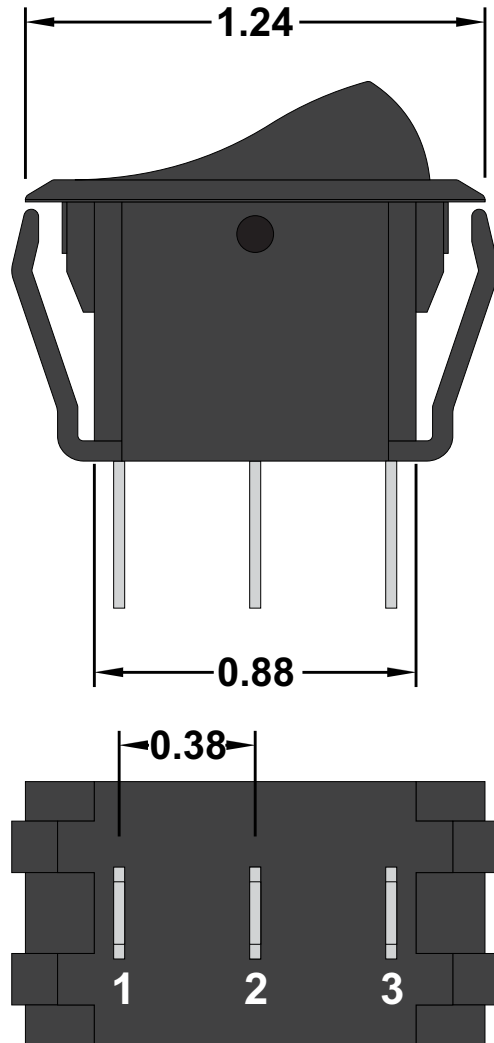
238D-BB

SPDT On-Off-On Rocker Switch

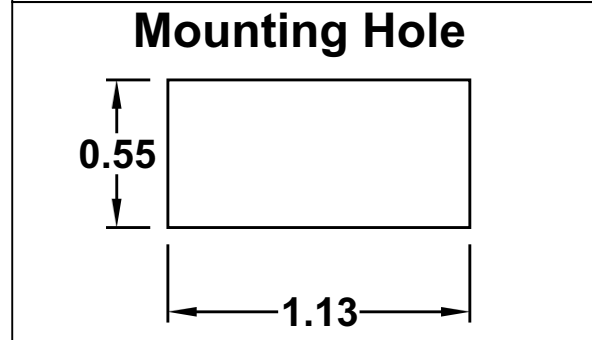
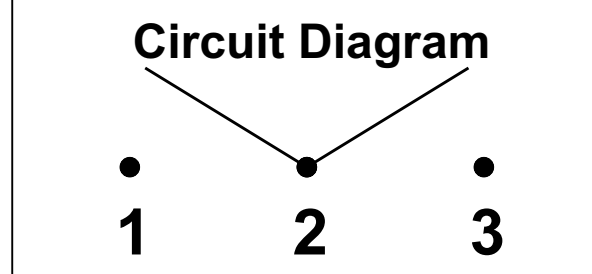
<https://www.gamainc.com/product/238d-bb/>

GAMA ELECTRONICS

P.O. Box 1488, Crystal Lake, IL 60039
Phone: 815-356-9600
Fax: 815-356-9603
Email: gama@gamainc.com
www.gamainc.com



- ### Specifications
- Circuit Code: Single Pole Double Throw On-Off-On
 - Rating: 16A 125VAC, 10A 250VAC, 10A 12VDC
 - Terminals 1/4" Quick Connect
 - UL, CSA, CE Approved
 - Black Button & Body



Drawn By: KEG
Information contained herein is proprietary information of GAMA Electronics Inc. The dissemination use or duplication of this information, for any purpose other than that for which the information is provided, is prohibited except by express written permission.
All dimensions are in inches and have a +/- .015" tolerance unless otherwise specified.

Rev: 0
Pg. 1 of 1
Release Date: 07/27/18
Third Angle Projection