

23C2-BB

Mini Rocker Switch, 10A SPDT On-Momentary On

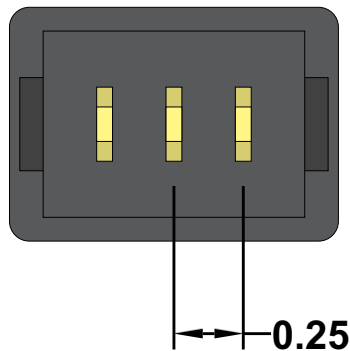
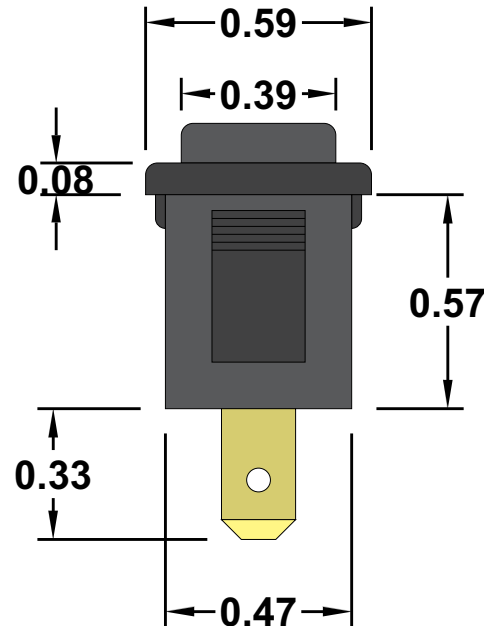
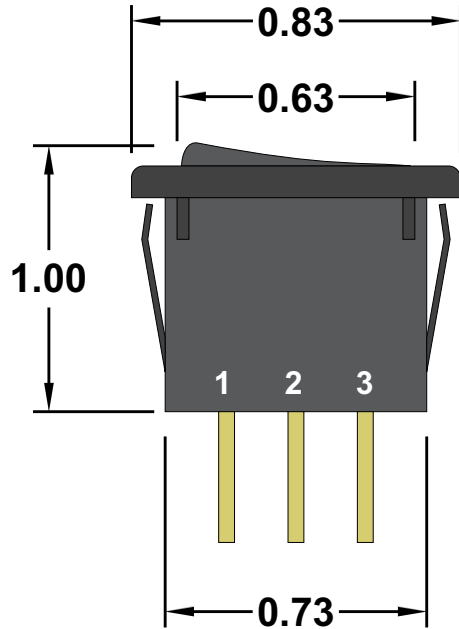
<https://www.gamainc.com/product/23c2-bb/>

Available Accessories

- 1-Gang Panel (66-1G)
- 2-Gang Panel (66-2G)
- 3-Gang Panel (66-3G)

GAMA ELECTRONICS

P.O. Box 1488, Crystal Lake, IL 60039
Phone: 815-356-9600
Fax: 815-356-9603
Email: gama@gamainc.com
www.gamainc.com



Specifications

•Circuit Code: Single Pole Double Throw On-(On)*

*() Denotes Momentary

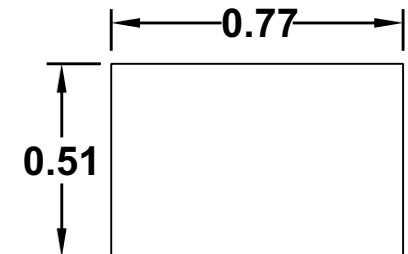
•Rating: 8A 125VAC, 4A 250VAC, 16A 12VDC, 6A 28VDC

•Terminals: 3/16" Quick Connect

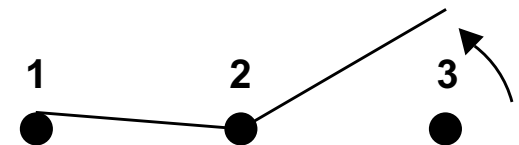
•UL, CSA, & CE Approved

•Black Body & Button

Panel Cutout



Circuit Diagram



Drawn By: KEG

Information contained herein is proprietary information of GAMA Electronics Inc. The dissemination use or duplication of this information, for any purpose other than that for which the information is provided, is prohibited except by express written permission.

All dimensions are in inches and have a +/- .015" tolerance unless otherwise specified.

Rev: A

Pg. 1 of 1

Release Date: 08/03/18

Third Angle Projection

