

23G-BR-12V

Mini Rocker Switch, Illuminated Off-On
12VDC – Red

<https://www.gamainc.com/product/23g-br-12v/>

Available Accessories

- 1-Gang Panel ([66-1G](#))
- 2-Gang Panel ([66-2G](#))
- 3-Gang Panel ([66-3G](#))

GAMA ELECTRONICS

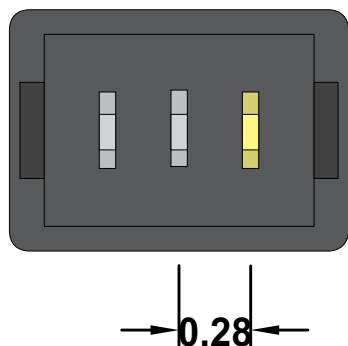
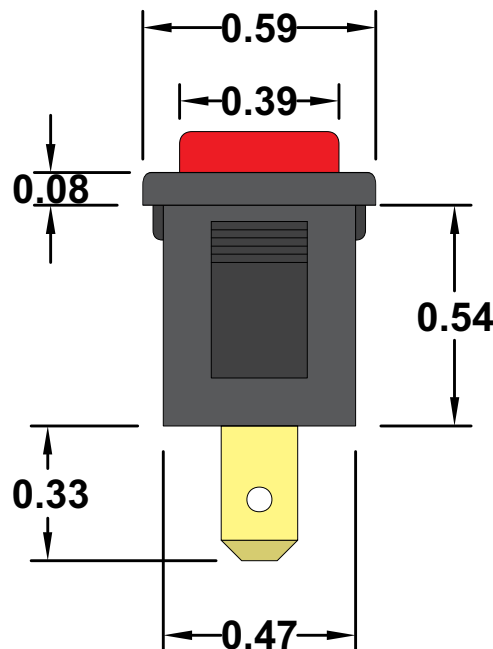
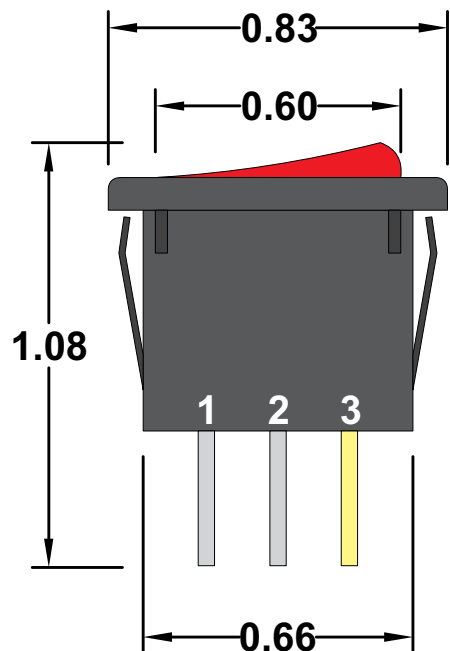
P.O. Box 1488, Crystal Lake, IL 60039

Phone: 815-356-9600

Fax: 815-356-9603

Email: gama@gamainc.com

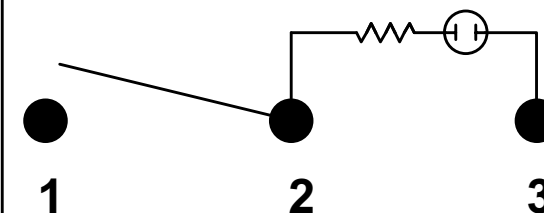
www.gamainc.com



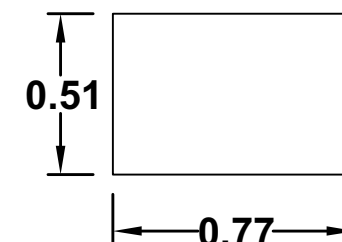
Specifications

- Circuit Code: Singel Pole Single Throw Off-On Illuminated
- Rating: 16A 12VDC
- Terminals: 3/16" Quick Connect
- UL, CSA, & CE Approved
- Black Body & Red Button

Circuit Diagram



Mounting Hole



Drawn By: KEG

Information contained herein is proprietary information of GAMA Electronics Inc. The dissemination use or duplication of this information, for any purpose other than that for which the information is provided, is prohibited except by express written permission.

All dimensions are in inches and have a +/- .015" tolerance unless otherwise specified.

Rev: 0

Pg. 1 of 1

Release Date: 08/03/18

Third Angle Projection

