

23LED-RED

Mini Rocker Switch, 16A Illuminated
SPST Off-On with 12V Red LED

<https://www.gamainc.com/product/23led-red/>

Available Accessories

- 1-Gang Panel ([66-1G](#))
- 2-Gang Panel ([66-2G](#))
- 3-Gang Panel ([66-3G](#))

GAMA ELECTRONICS

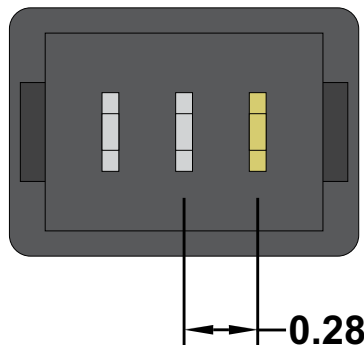
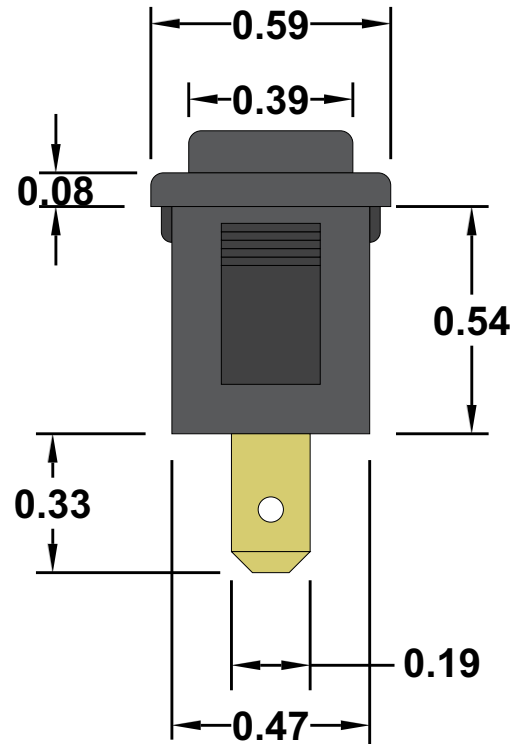
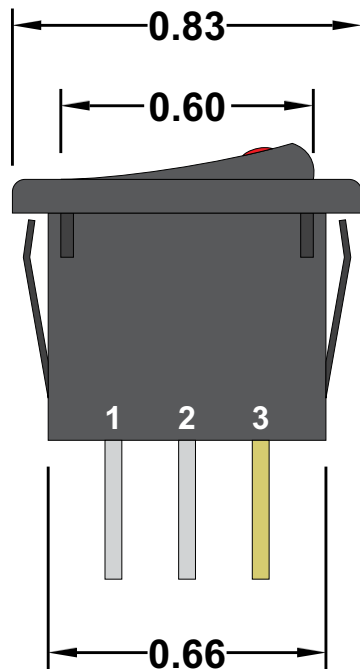
P.O. Box 1488, Crystal Lake, IL 60039

Phone: 815-356-9600

Fax: 815-356-9603

Email: gama@gamainc.com

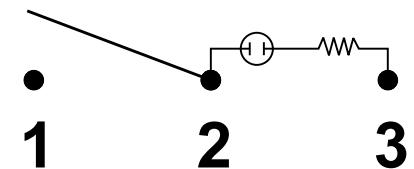
www.gamainc.com



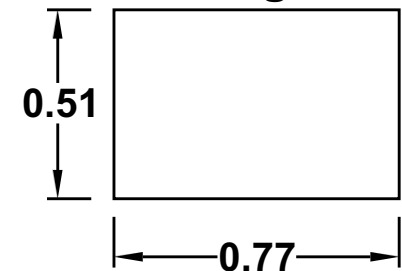
Specifications

- SPST Off-On Illuminated
- Contacts are rated at 16A 12VDC
- Terminals are 3/16" Quick Connect
- Black Body and Button with Red LED

Circuit Diagram



Mounting Hole



Drawn By: KEG

Information contained herein is proprietary information of GAMA Electronics Inc. The dissemination use or duplication of this information, for any purpose other than that for which the information is provided, is prohibited except by express written permission.

All dimensions are in inches and have a +/- .015" tolerance unless otherwise specified.

Rev: A

Pg. 1 of 1

Release Date: 07/27/18

Third Angle Projection

