

28B-MTD

Toggle Switch, 30A SPST On-Off

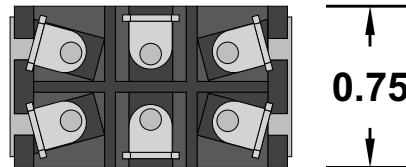
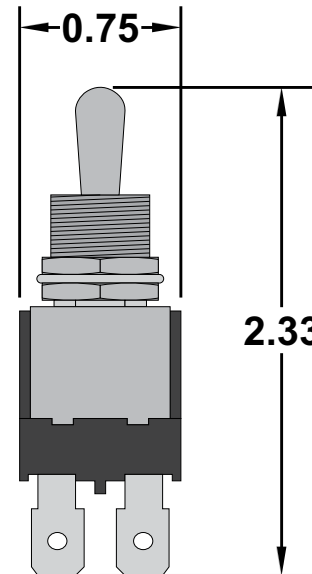
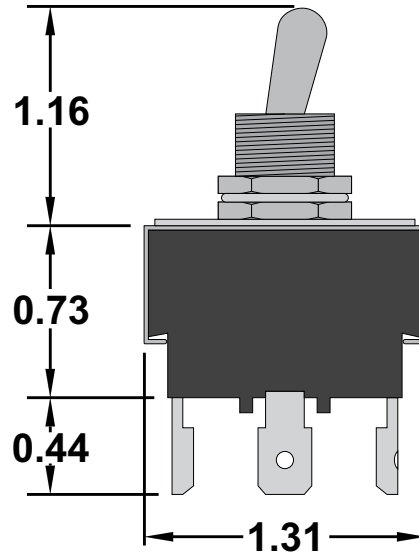
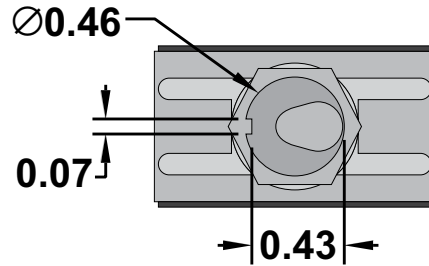
<https://www.gamainc.com/product/28b-mtd/>

Specifications

- DPDT On-On
- 15A @ 125VAC, 10A @ 250VAC, 30A @ 12VDC, 1 1/2 HP
- Mounts in a .48 diameter hole and it has 1/4 quick connect terminals.
- UL & CSA Approved.

GAMA ELECTRONICS

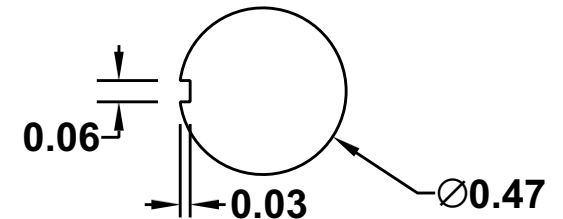
P.O. Box 1488, Crystal Lake, IL 60039
 Phone: 815-356-9600
 Fax: 815-356-9603
 Email: gama@gamainc.com
www.gamainc.com



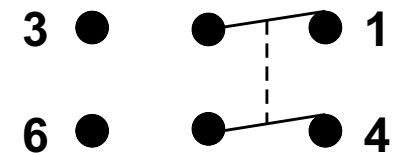
Available Accessories

- Waterproof Boot ([W-70B](#))
- Mounting Plate ([438-MP](#))
- Toggle Guard ([438-TG](#))
- Accessory Pack ([438-AP](#))

Mounting Hole



Circuit Diagram



Drawn By: KEG

Information contained herein is proprietary information of GAMA Electronics Inc. The dissemination use or duplication of this information, for any purpose other than that for which the information is provided, is prohibited except by express written permission.

All dimensions are in inches and have a +/- .015" tolerance unless otherwise specified.

Rev: A

Pg. 1 of 1

Release Date: 04/27/20

Third Angle Projection