

3052

Rocker Switch, 3-Position DPDT On-Off-On

<https://www.gamainc.com/product/3052/>

GAMA ELECTRONICS

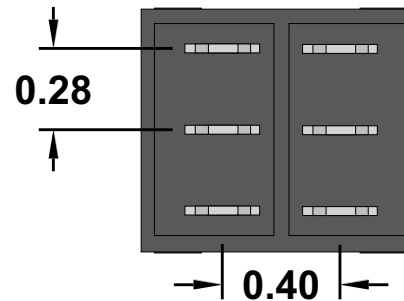
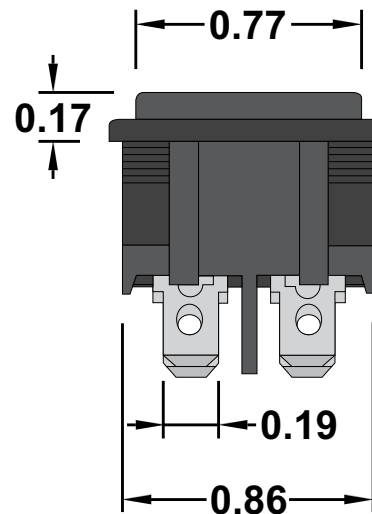
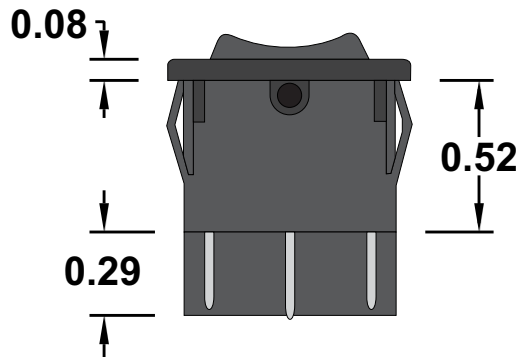
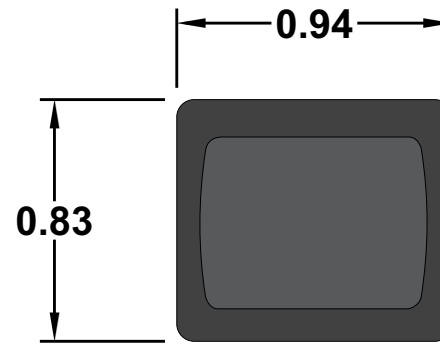
P.O. Box 1488, Crystal Lake, IL 60039

Phone: 815-356-9600

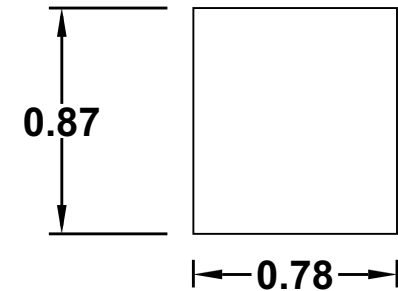
Fax: 815-356-9603

Email: gama@gamainc.com

www.gamainc.com



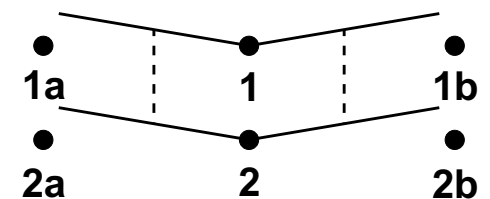
Panel Cutout



Specifications

- Circuit Code: Double Pole Double Throw On-Off-On
- Rating: 6A 125VAC, 6A 250VAC, 6A 12VDC
- Terminals: 3/16" Quick Connect
- UL CSA Approved.

Circuit Diagram



Drawn By: KEG

Information contained herein is proprietary information of GAMA Electronics Inc. The dissemination use or duplication of this information, for any purpose other than that for which the information is provided, is prohibited except by express written permission.

All dimensions are in inches and have a +/- .015" tolerance unless otherwise specified.

Rev: A

Pg. 1 of 1

Release Date: 07/27/18

Third Angle Projection

