

400A-PRC

400/100 Amp Reverse Polarity DC Motor Control 12VDC

<https://www.gamainc.com/product/400a-prc/>

GAMA ELECTRONICS

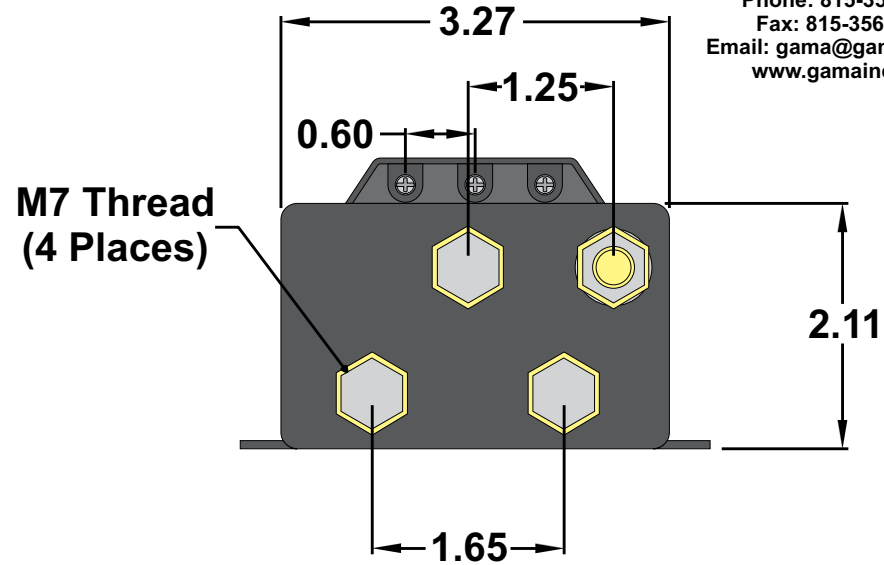
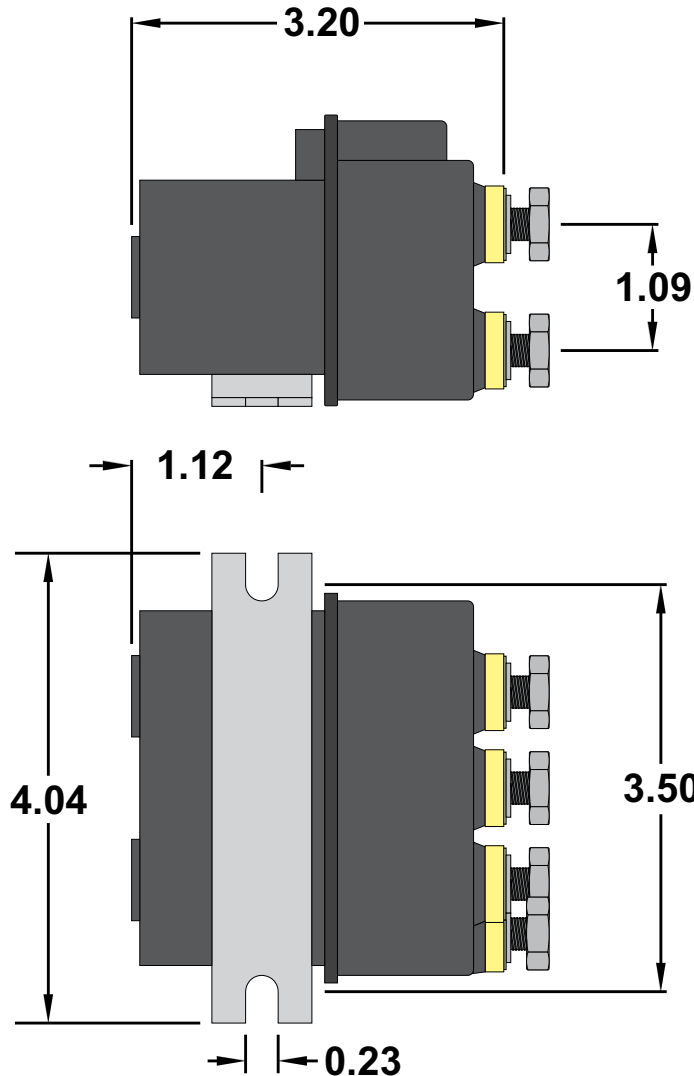
P.O. Box 1488, Crystal Lake, IL 60039

Phone: 815-356-9600

Fax: 815-356-9603

Email: gama@gamainc.com

www.gamainc.com



Specifications

- Input Voltage: 12VDC
- The output is rated for 100 Amp continuous load and up to a 400 Amp intermittent load (10% duty cycle).
- Operating temperature range: 0°F to 160°F
- A low power 3 position switch is required for activation.

Drawn By: KEG

Information contained herein is proprietary information of GAMA Electronics Inc. The dissemination use or duplication of this information, for any purpose other than that for which the information is provided, is prohibited except by express written permission.

All dimensions are in inches and have a +/- .015" tolerance unless otherwise specified.

Rev: 0

Pg. 1 of 1

Release Date: 06/16/20

Third Angle Projection

