

43G-GREEN240

Rocker Switch, Green Illuminated
SPST Off-On

<https://www.gamainc.com/product/43g-green240/>

GAMA ELECTRONICS

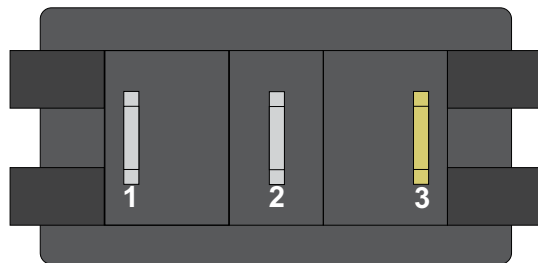
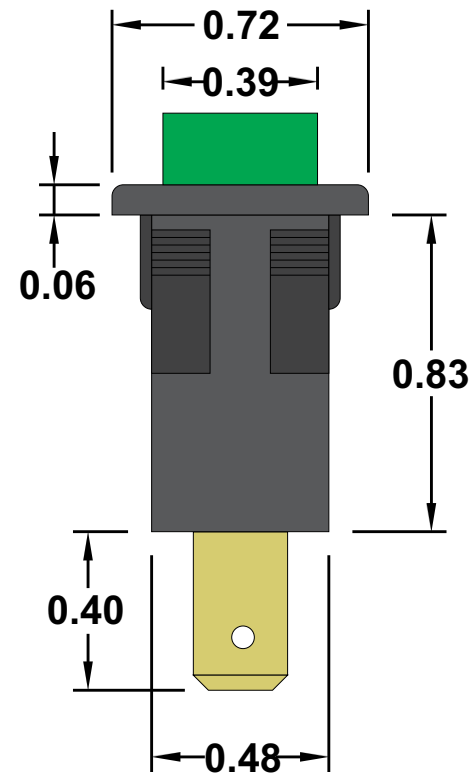
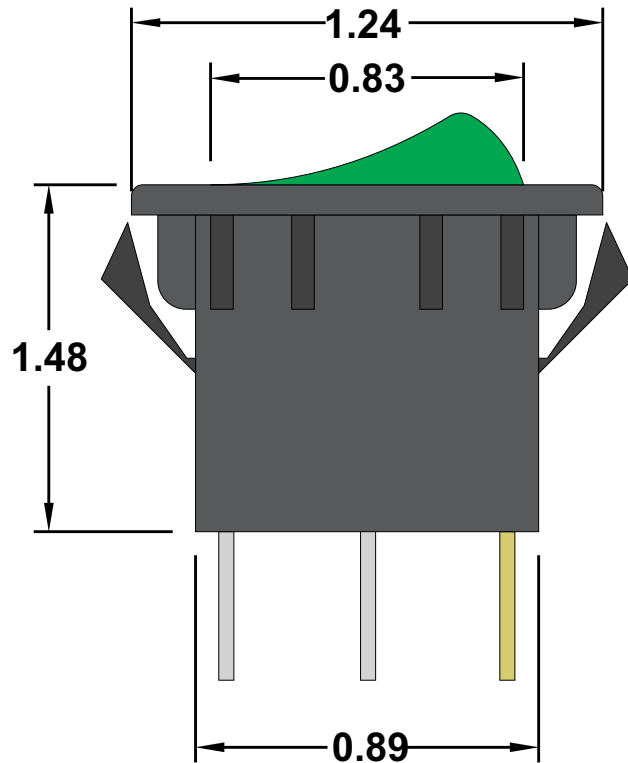
P.O. Box 1488, Crystal Lake, IL 60039

Phone: 815-356-9600

Fax: 815-356-9603

Email: gama@gamainc.com

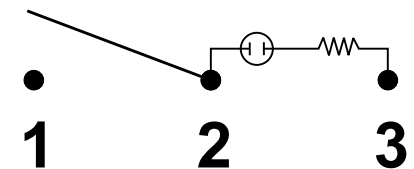
www.gamainc.com



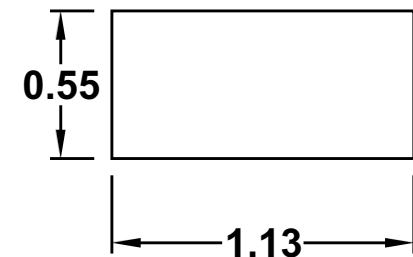
Specifications

- SPST Off On Illuminated
- Contacts are rated at 15 amp 125VAC, 7.5amp 250 VAC .
- Panel cutout is .55 x 1.125 inches.

Circuit Diagram



Mounting Hole



Drawn By: KEG

Information contained herein is proprietary information of GAMA Electronics Inc. The dissemination use or duplication of this information, for any purpose other than that for which the information is provided, is prohibited except by express written permission.

All dimensions are in inches and have a +/- .015" tolerance unless otherwise specified.

Rev: 0

Pg. 1 of 1

Release Date: 08/07/18

Third Angle Projection

