

# 66F8-02

Waterproof Mini Rocker Switch, SPST  
Off-Momentary On

<https://www.gamainc.com/product/66f8-02/>

## Available Accessories

- 1-Gang Panel ([66-1G](#))
- 2-Gang Panel ([66-2G](#))
- 3-Gang Panel ([66-3G](#))

# GAMA ELECTRONICS

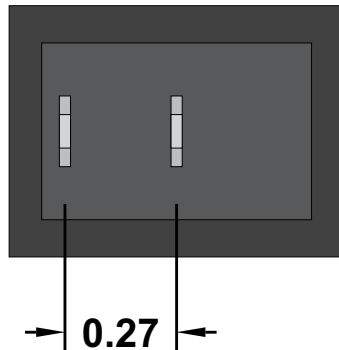
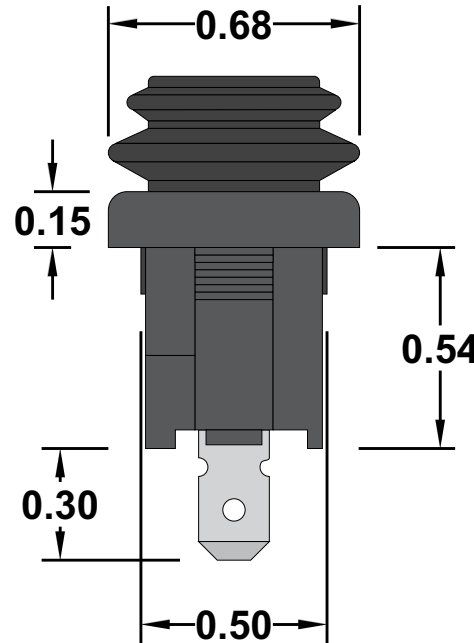
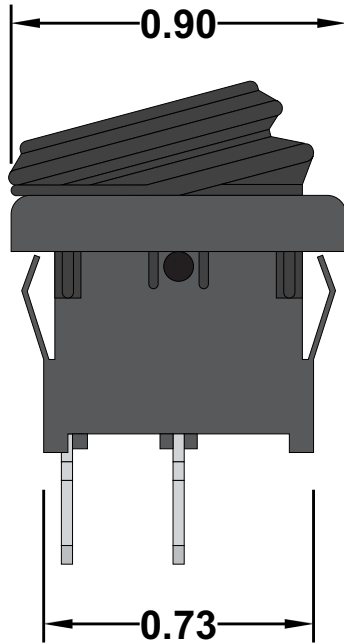
P.O. Box 1488, Crystal Lake, IL 60039

Phone: 815-356-9600

Fax: 815-356-9603

Email: [gama@gamainc.com](mailto:gama@gamainc.com)

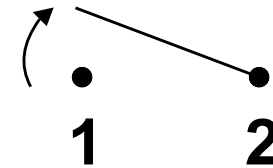
[www.gamainc.com](http://www.gamainc.com)



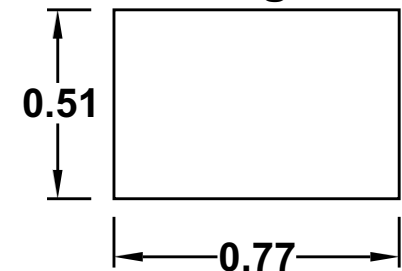
## Specifications

- SPST Off-(On)\*
- \*() Denotes Momentary
- Rated at 16 amp 125 VAC, 10 amp 250 VAC, 10 amp 12VDC.
- Waterproof to IP65
- 3/16 inch quick connect terminals.
- Panel cutout is .51 x .77 inches.
- UL, CSA & CE Approved

## Circuit Diagram



## Mounting Hole



Drawn By: KEG

Information contained herein is proprietary information of GAMA Electronics Inc. The dissemination use or duplication of this information, for any purpose other than that for which the information is provided, is prohibited except by express written permission.

All dimensions are in inches and have a +/- .015" tolerance unless otherwise specified.

Rev: 0

Pg. 1 of 1

Release Date: 01/11/19

Third Angle Projection

