

# 66PC

Mini Rocker Switch, 10A DPDT 2-Position  
On-On

<https://www.gamainc.com/product/66pc/>

# GAMA ELECTRONICS

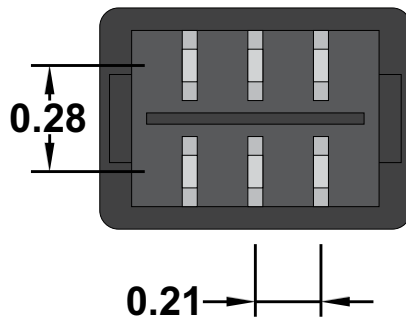
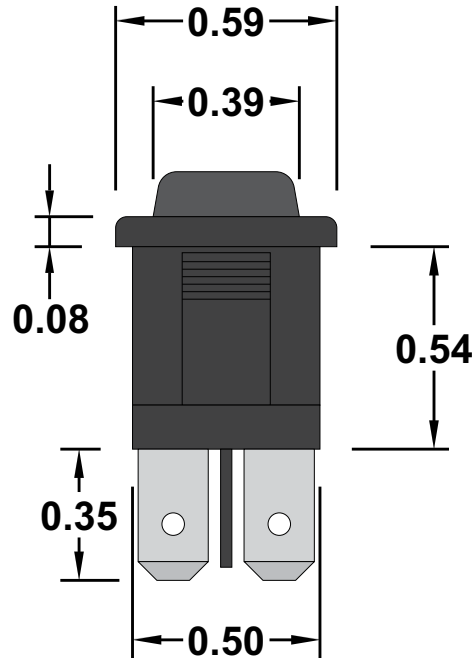
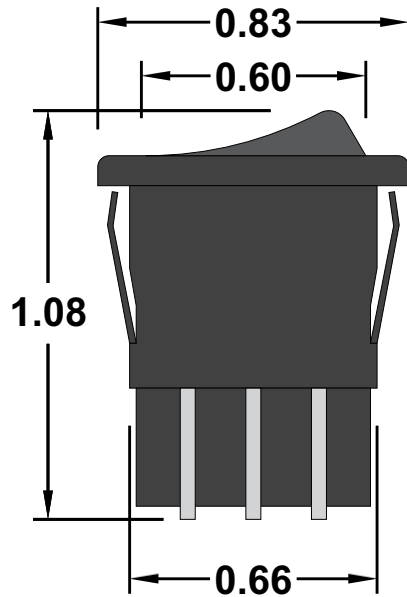
P.O. Box 1488, Crystal Lake, IL 60039

Phone: 815-356-9600

Fax: 815-356-9603

Email: [gama@gamainc.com](mailto:gama@gamainc.com)

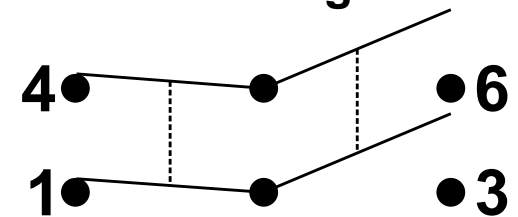
[www.gamainc.com](http://www.gamainc.com)



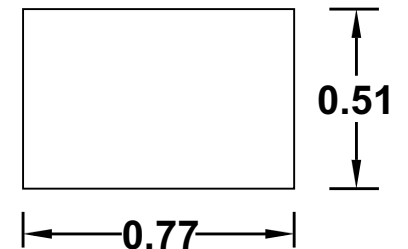
## Specifications

- Circuit Code: Double Pole Double Throw On-On
- Rating: 6A 125VAC, 3A 250VAC, 3A 12VDC
- Terminals: 3/16" Quick Connect
- Black Body & Button

## Circuit Diagram



## Mounting Hole



Drawn By: KEG

Information contained herein is proprietary information of GAMA Electronics Inc. The dissemination use or duplication of this information, for any purpose other than that for which the information is provided, is prohibited except by express written permission.

All dimensions are in inches and have a +/- .015" tolerance unless otherwise specified.

Rev: A

Pg. 1 of 1

Release Date: 08/06/18

Third Angle Projection

