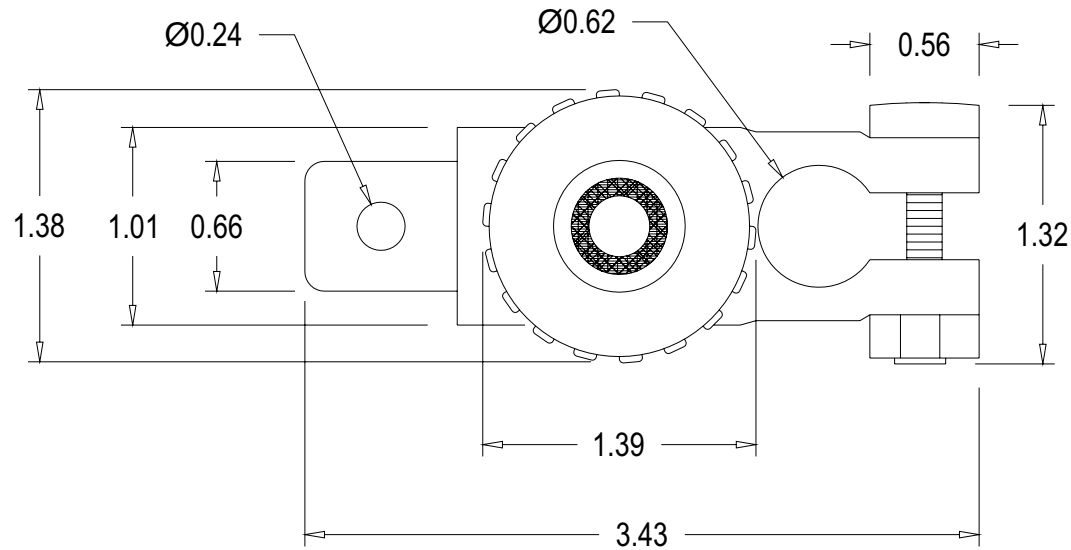
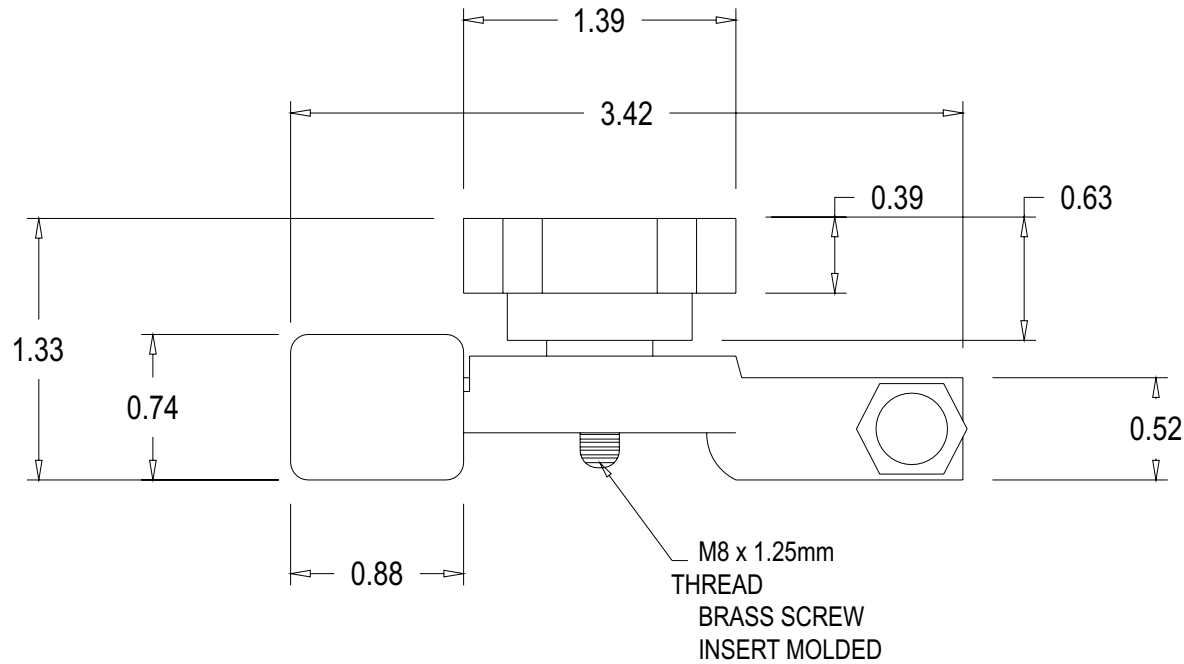


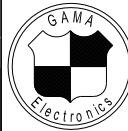
SIZE		BS200			REV.
A					O
REVISIONS					
LET.	WAS	DATE	APP.	ENTERED	
O	Original Release	2/18/09			



NOTES:  
 TERMINAL MATERIAL-ZAMAK #3  
 KNOB MATERIAL-NYLON 6/6  
 INSULATOR MATERIAL-ZYTEL 101

INFORMATION CONTAINED HEREIN IS PROPRIETARY INFORMATION OF GAMA ELECTRONICS INC. THE DISSEMINATION, USE OR DUPLICATION OF THIS INFORMATION, FOR ANY PURPOSE OTHER THAN THAT FOR WHICH THE INFORMATION IS PROVIDED, IS PROHIBITED, EXCEPT BY EXPRESS WRITTEN PERMISSION.

DECIMAL TOLERANCE UNLESS OTHERWISE SPECIFIED:  
 LINEAR:  
 .XXXXX ±.0005  
 .XXXX ±.001  
 .XXX ±.003  
 .XX ±.015  
 .X ±.1/32  
 X ±1/16  
 ANGULAR:  
 .XXXX ±01°  
 .XX ±01°  
 X ±1°  
 THIS DRAWING IN ACCORDANCE WITH DOD-STD-100 UNLESS OTHERWISE SPECIFIED.

All dimensions in inches. (unless otherwise noted)		THIRD ANGLE PROJECTION	
 <b>GAMA Electronics, Inc.</b> P.O. Box 1488, Crystal Lake, IL 60039		NAME	
		Top Post Battery Master Switch	
DRN. TJK	2/18/09	MATERIAL	
RELEASED 2/18/09		SHEET	1 OF 1