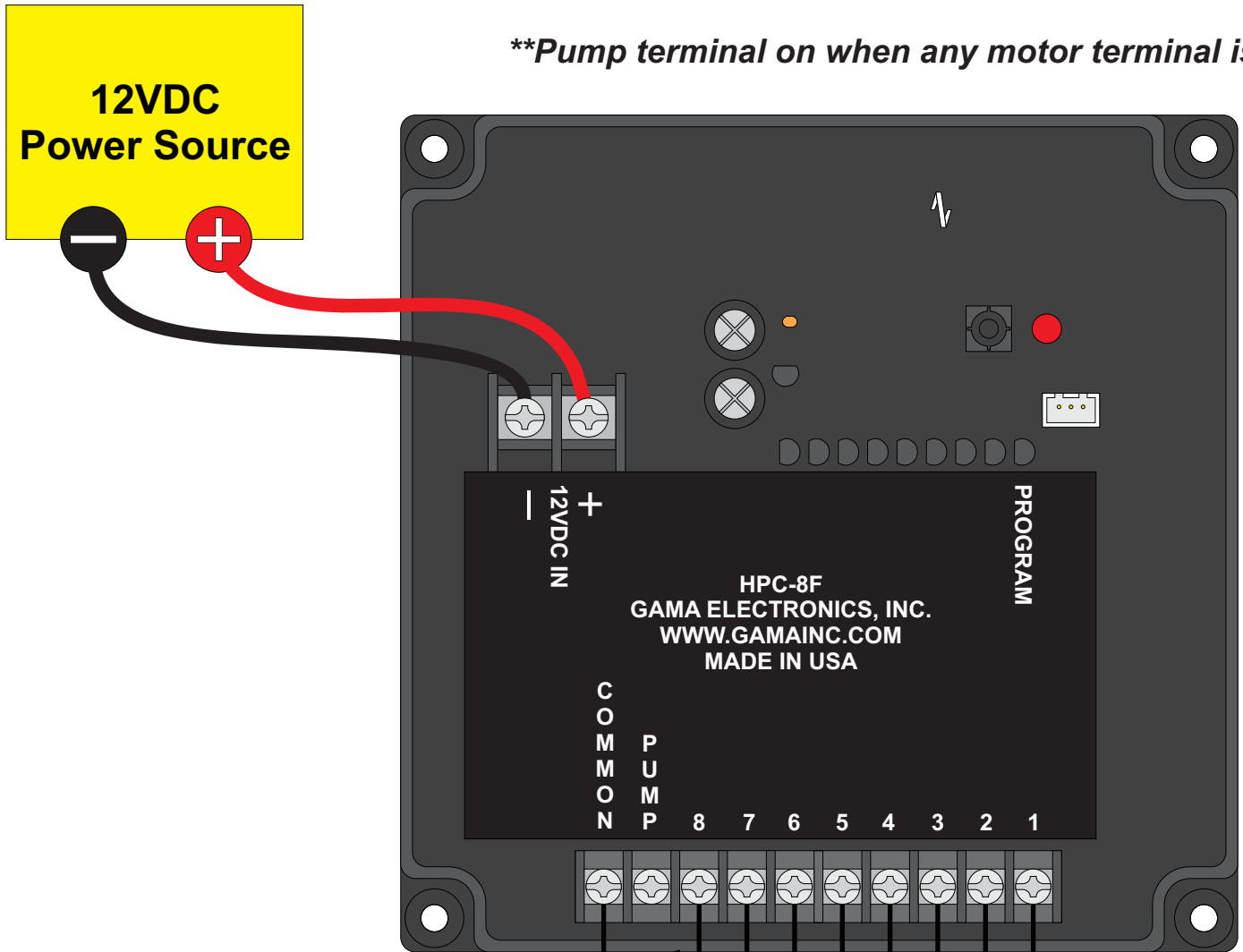


**\*\*Pump terminal on when any motor terminal is on\*\***



COM-Common  
This terminal should be connected to the source being switched

NO - Normally Open Contacts  
These terminals are connected to the common when the receiver is activated by the transmitter

Isolated Output Contacts - Independent from the power source