

PB3-DRC

Commercial Overhead Door Remote Control System

www.gamainc.com/product/pb3-remote/

GAMA ELECTRONICS

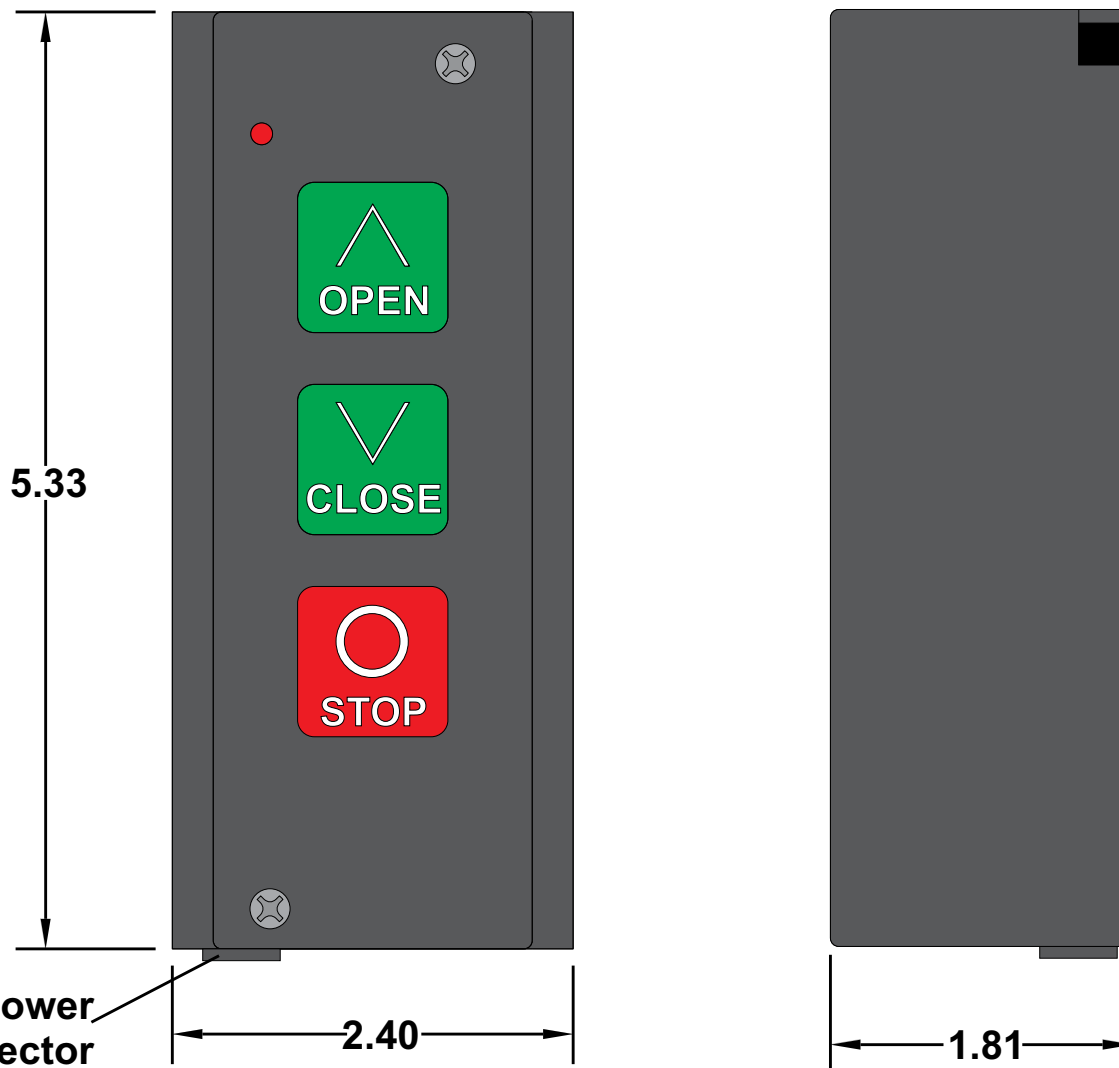
P.O. Box 1488, Crystal Lake, IL 60039

Phone: 815-365-9600

Fax: 815-356-9603

Email: gama@gamainc.com

www.gamainc.com



Specifications

- Frequency: 340MHz
- Kit Includes (1) Control Station, (1) 3-button Keyfob Transmitter and (1) Long Range Antenna.
- Transmit range is 100' with antenna mounted indoors and >500' with antenna mounted outdoors.
- Up to 12 keyfob transmitters can be used with each receiver.
- Functions with KF340-DRC-99 Multi-door Transmitter.

Drawn By: KEG

Information contained herein is proprietary information of GAMA Electronics Inc. The dissemination use or duplication of this information, for any purpose other than that for which the information is provided, is prohibited except by express written permission.

All dimensions are in inches and have a +/- .015" tolerance unless otherwise specified.

Rev: 0

Pg. 1 of 3

Release Date:
08/01/17

Third Angle Projection



PB3-DRC

Commercial Overhead Door Remote Control System

www.gamainc.com/product/pb3-remote/

GAMA ELECTRONICS

P.O. Box 1488, Crystal Lake, IL 60039

Phone: 815-365-9600

Fax: 815-356-9603

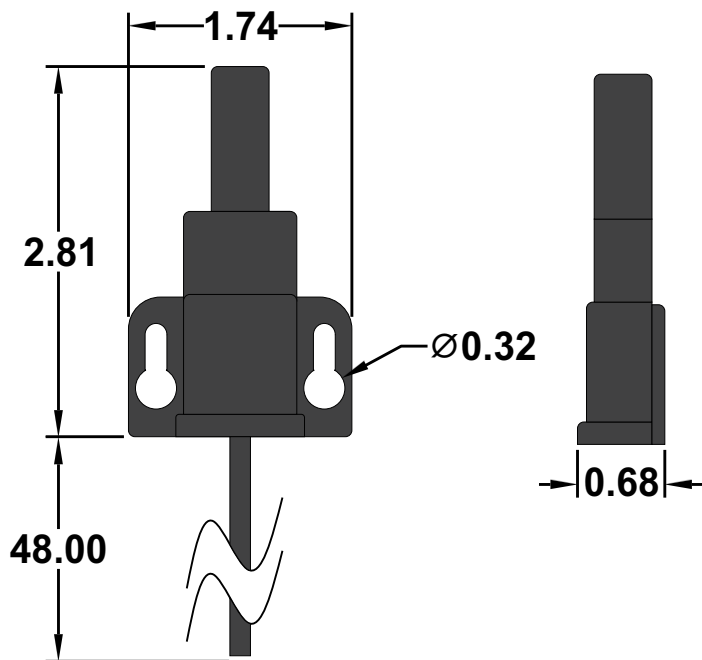
Email: gama@gamainc.com

www.gamainc.com

Long Range Antenna

<https://www.gamainc.com/product/lra-340/>

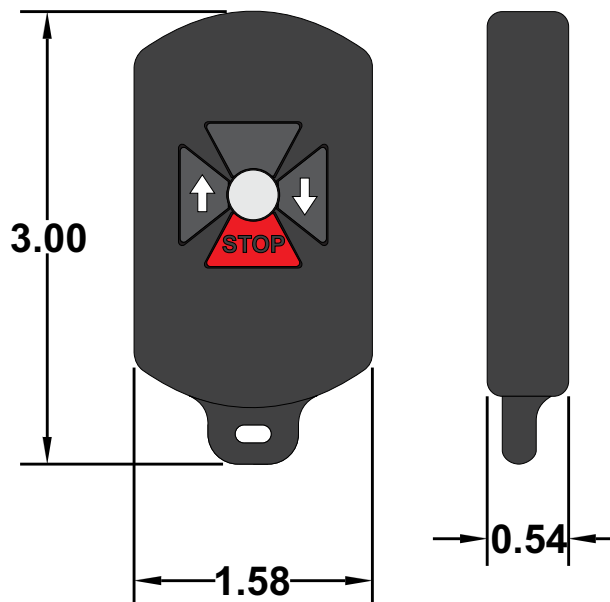
Included with all options



3-Button Waterproof Transmitter

<https://www.gamainc.com/product/kf340-drc-wp/>

Included with standard transmitter option



Accessories Sold Separately

- 3-Button Waterproof Transmitter (KF340-DRC-WP)
- Multi-Door Transmitter (KF340-DRC-99)
- Long Range Antenna (LRA-340)
- Package of 6 A23 12V Alkaline Keyfob Batteries (A23-6)
- Waterproof Keypad (KP340-DRC)
- 3-Button Rechargeable Transmitter (GKF-WPTX-DRC)

Drawn By: KEG

Information contained herein is proprietary information of GAMA Electronics Inc. The dissemination use or duplication of this information, for any purpose other than that for which the information is provided, is prohibited except by express written permission.

All dimensions are in inches and have a +/- .015" tolerance unless otherwise specified.

Rev: 0

Pg. 2 of 3

Release Date:
08/01/17

Third Angle Projection



PB3-DRC

Commercial Overhead Door Remote Control System

www.gamainc.com/product/pb3-remote/

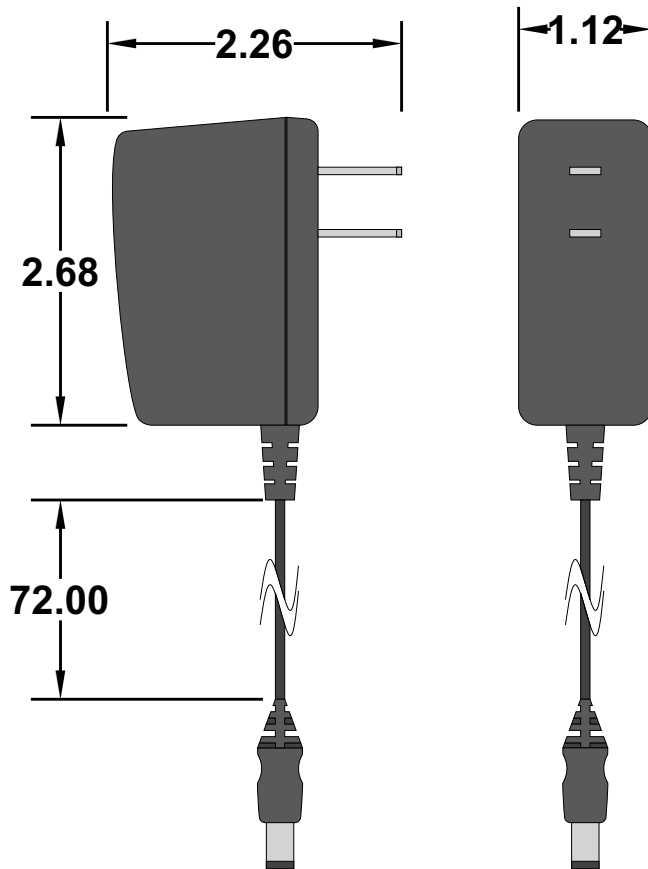
GAMA ELECTRONICS

P.O. Box 1488, Crystal Lake, IL 60039
Phone: 815-365-9600
Fax: 815-356-9603
Email: gama@gamainc.com
www.gamainc.com

12V Wall Mount Power Supply

www.gamainc.com/product/eps120050/

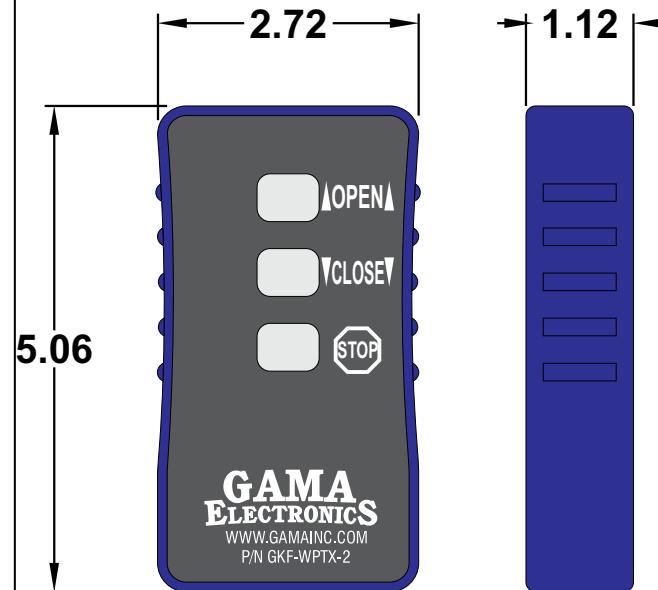
Included with all options



3-Button Rechargeable Transmitter

www.gamainc.com/product/gkf-wptx-drc/

Included with rechargeable transmitter option



Drawn By: KEG

Information contained herein is proprietary information of GAMA Electronics Inc. The dissemination use or duplication of this information, for any purpose other than that for which the information is provided, is prohibited except by express written permission.

All dimensions are in inches and have a +/- .015" tolerance unless otherwise specified.

Rev: 0

Release Date:
08/01/17

Pg. 3 of 3

Third Angle Projection

