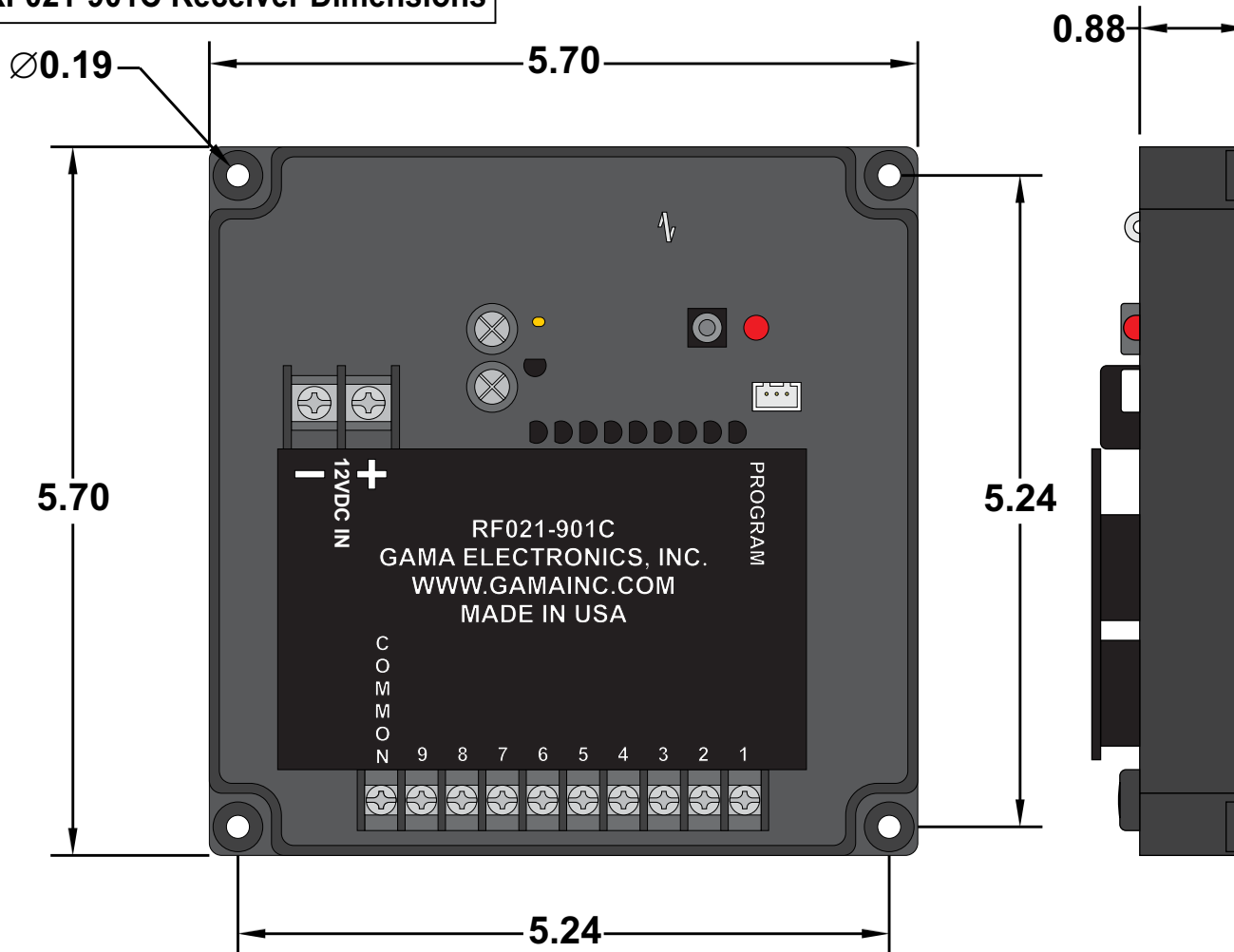


RF021-901C

RF Remote Control System, (9) Contact Closures

<https://www.gamainc.com/product/rf021-901c/>

RF021-901C Receiver Dimensions



GAMA ELECTRONICS

P.O. Box 1488, Crystal Lake, IL 60039

Phone: 815-356-9600

Fax: 815-356-9603

Email: gama@gamainc.com

www.gamainc.com

Specifications

- Frequency: 340 MHz.
- Input voltage: 12VDC with reverse polarity protection.
- The output relays are rated at 10A @ 12VDC.
- Momentary or latching operation.
- Operating temperature range: 0° F to 160° F.
- Transmit range is greater than 100 feet under normal operating conditions.
- Proudly made in the U.S.A.

Drawn By: KEG

Information contained herein is proprietary information of GAMA Electronics Inc. The dissemination use or duplication of this information, for any purpose other than that for which the information is provided, is prohibited except by express written permission.

All dimensions are in inches and have a +/- .015" tolerance unless otherwise specified.

Rev: A

Pg. 1 of 5

Release Date:
08/03/18

Third Angle Projection



RF021-901C

RF Remote Control System, (9) Contact Closures

<https://www.gamainc.com/product/rf021-901c/>

GAMA ELECTRONICS

P.O. Box 1488, Crystal Lake, IL 60039
Phone: 815-356-9600
Fax: 815-356-9603
Email: gama@gamainc.com
www.gamainc.com

Long Range Antenna

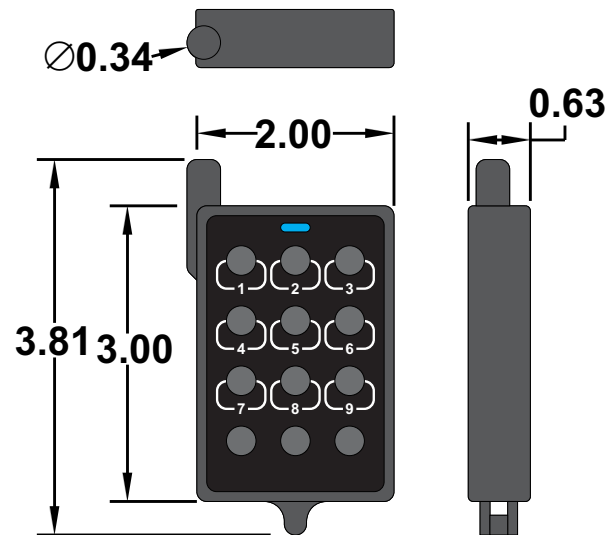
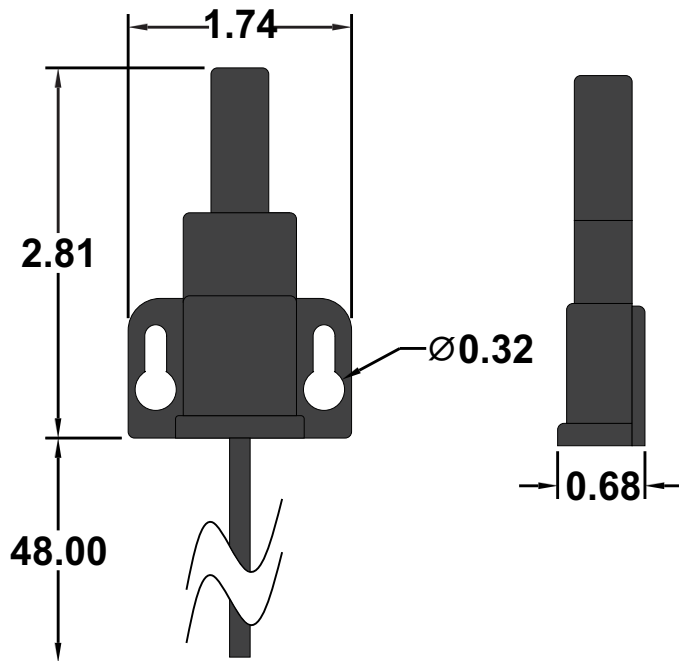
www.gamainc.com/product/lra-340/

Included with long range option

9-Button Keyfob Transmitter

www.gamainc.com/product/rft340-901c/

Included with standard transmitter option



Accessories Sold Separately

- Extra 12-Button Rechargeable Transmitters ([GKF-WPTX-12MB](#))
- Extra 9-Button Transmitters ([RFT340-901C](#))
- Extra 9-Button Waterproof Transmitter ([KF340-9WP](#))
- Converter Module ([DC2412](#))
- 12V Wall Mount Power Supply ([EPS120050](#))
- Package of 6 A23 12V Alkaline Keyfob Batteries ([A23-6](#))
- Extra Long Range Antennas ([LRA-340](#))
- Extra Waterproof Enclosures ([GWE-663-812](#))

Drawn By: KEG

Information contained herein is proprietary information of GAMA Electronics Inc. The dissemination use or duplication of this information, for any purpose other than that for which the information is provided, is prohibited except by express written permission.

All dimensions are in inches and have a +/- .015" tolerance unless otherwise specified.

Rev: A

Pg. 2 of 5

Release Date:
08/03/18

Third Angle Projection

RF021-901C

RF Remote Control System, (9) Contact Closures

<https://www.gamainc.com/product/rf021-901c/>

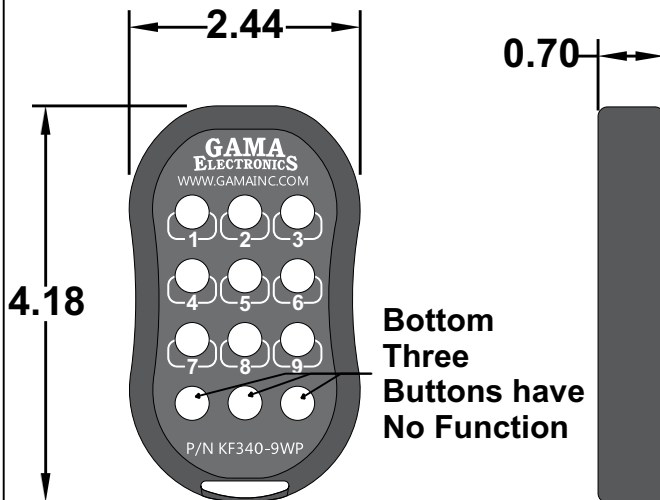
GAMA ELECTRONICS

P.O. Box 1488, Crystal Lake, IL 60039
Phone: 815-356-9600
Fax: 815-356-9603
Email: gama@gamainc.com
www.gamainc.com

Waterproof 9-Button Transmitter

www.gamainc.com/product/kf340-9wp/

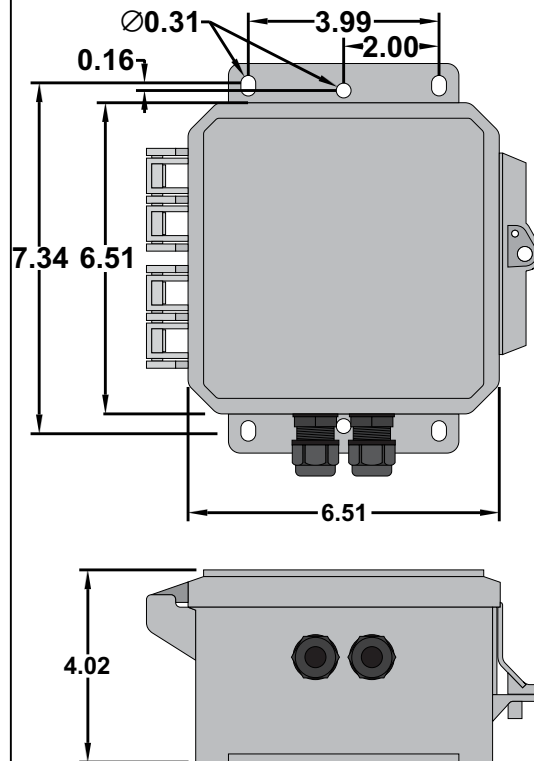
Included with waterproof transmitter option



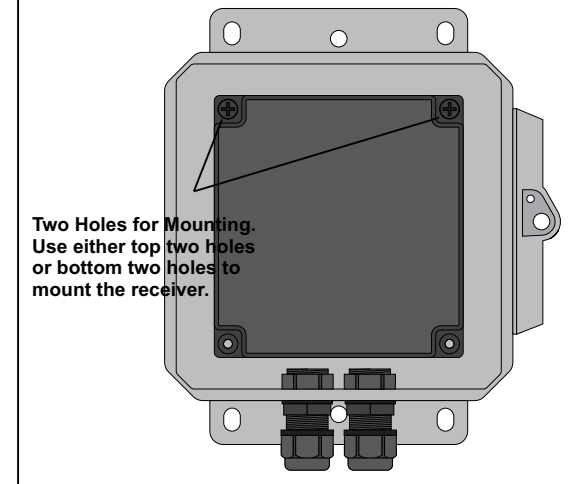
Waterproof Enclosure

www.gamainc.com/product/gwe-663-812/

Included with waterproof enclosure option



Interior View



Drawn By: KEG

Information contained herein is proprietary information of GAMA Electronics Inc. The dissemination use or duplication of this information, for any purpose other than that for which the information is provided, is prohibited except by express written permission.

All dimensions are in inches and have a +/- .015" tolerance unless otherwise specified.

Rev: A

Release Date:
08/03/18

Pg. 3 of 5

Third Angle Projection



RF021-901C

RF Remote Control System, (9) Contact Closures

<https://www.gamainc.com/product/rf021-901c/>

GAMA ELECTRONICS

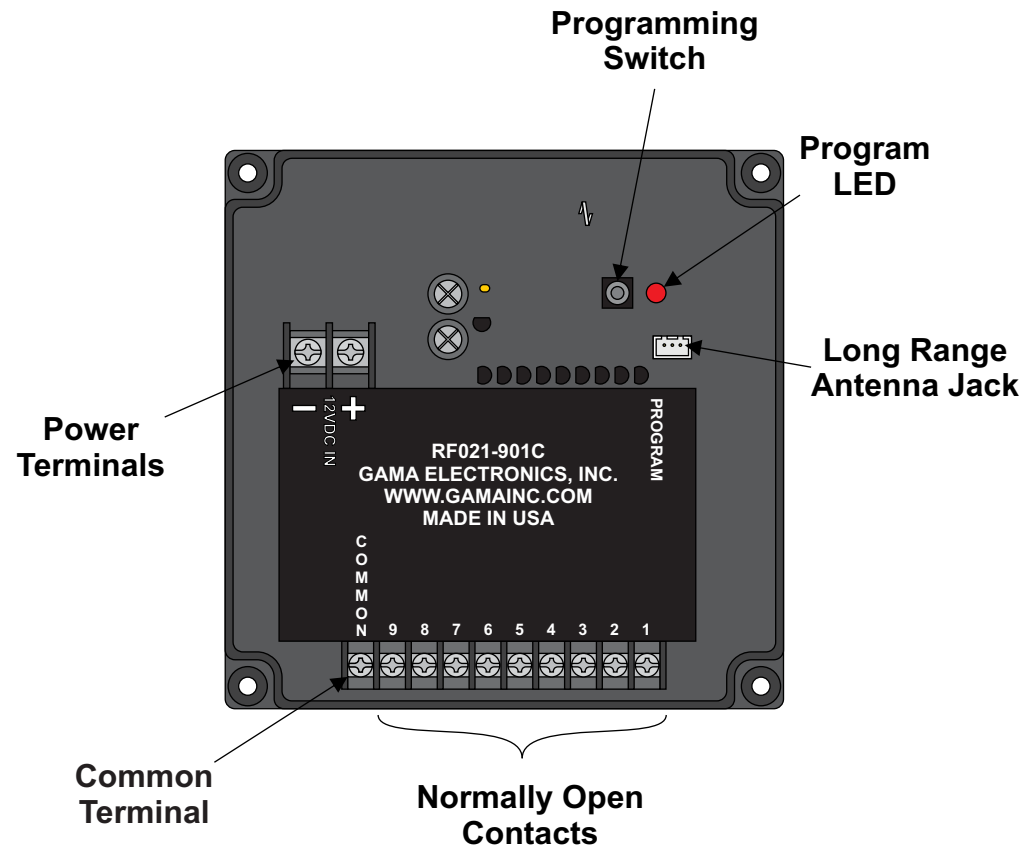
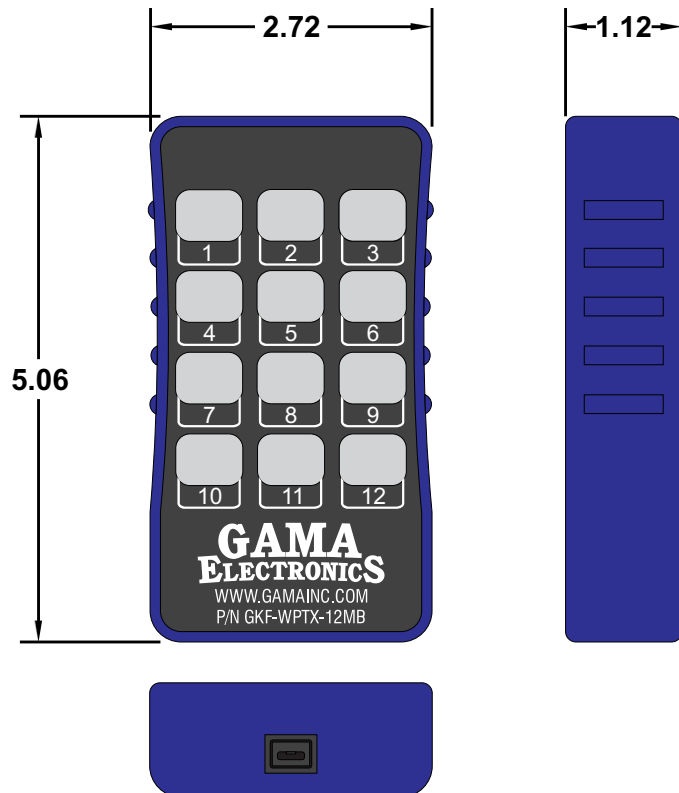
P.O. Box 1488, Crystal Lake, IL 60039
Phone: 815-356-9600
Fax: 815-356-9603
Email: gama@gamainc.com
www.gamainc.com

Rechargeable 12-Button Transmitter

<https://www.gamainc.com/product/gkf-wptx-12mb/>

Included with rechargeable transmitter option

Receiver Callouts



Drawn By: KEG

Information contained herein is proprietary information of GAMA Electronics Inc. The dissemination use or duplication of this information, for any purpose other than that for which the information is provided, is prohibited except by express written permission.

All dimensions are in inches and have a +/- .015" tolerance unless otherwise specified.

Rev: A

Release Date:
08/03/18

Pg. 4 of 5

Third Angle Projection



RF021-901C

RF Remote Control System, (9) Contact Closures

<https://www.gamainc.com/product/rf021-901c/>

Wiring Diagram

GAMA ELECTRONICS

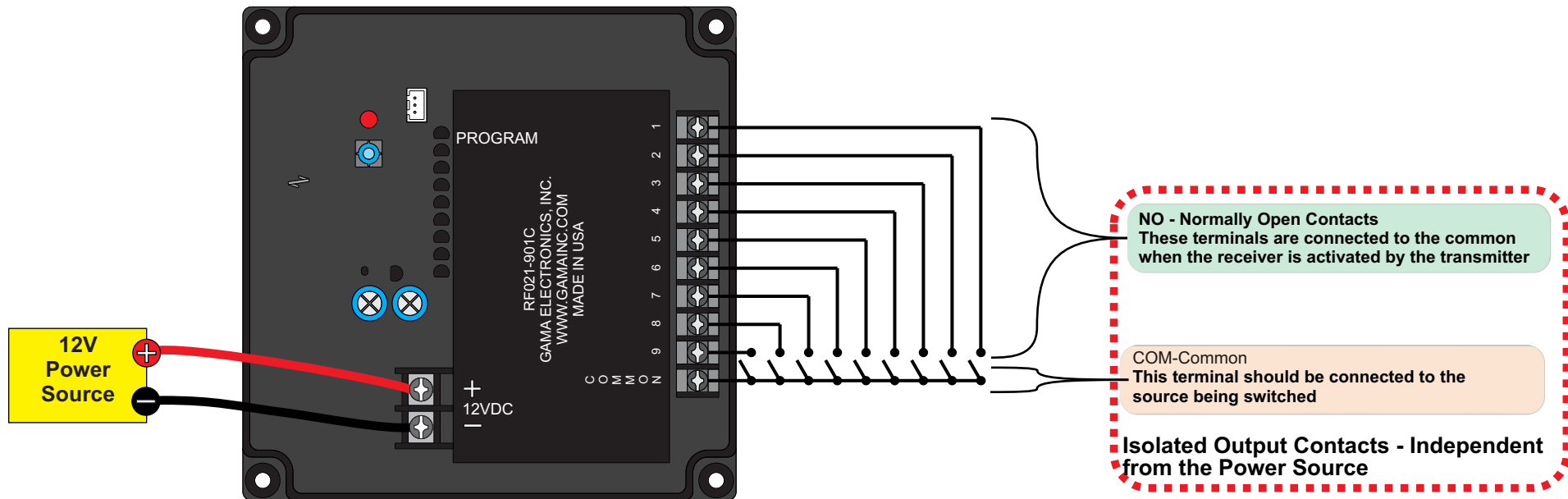
P.O. Box 1488, Crystal Lake, IL 60039

Phone: 815-356-9600

Fax: 815-356-9603

Email: gama@gamainc.com

www.gamainc.com



Drawn By: KEG

Information contained herein is proprietary information of GAMA Electronics Inc. The dissemination use or duplication of this information, for any purpose other than that for which the information is provided, is prohibited except by express written permission.

All dimensions are in inches and have a +/- .015" tolerance unless otherwise specified.

Rev: A

Release Date:
08/03/18

Pg. 5 of 5

Third Angle Projection

