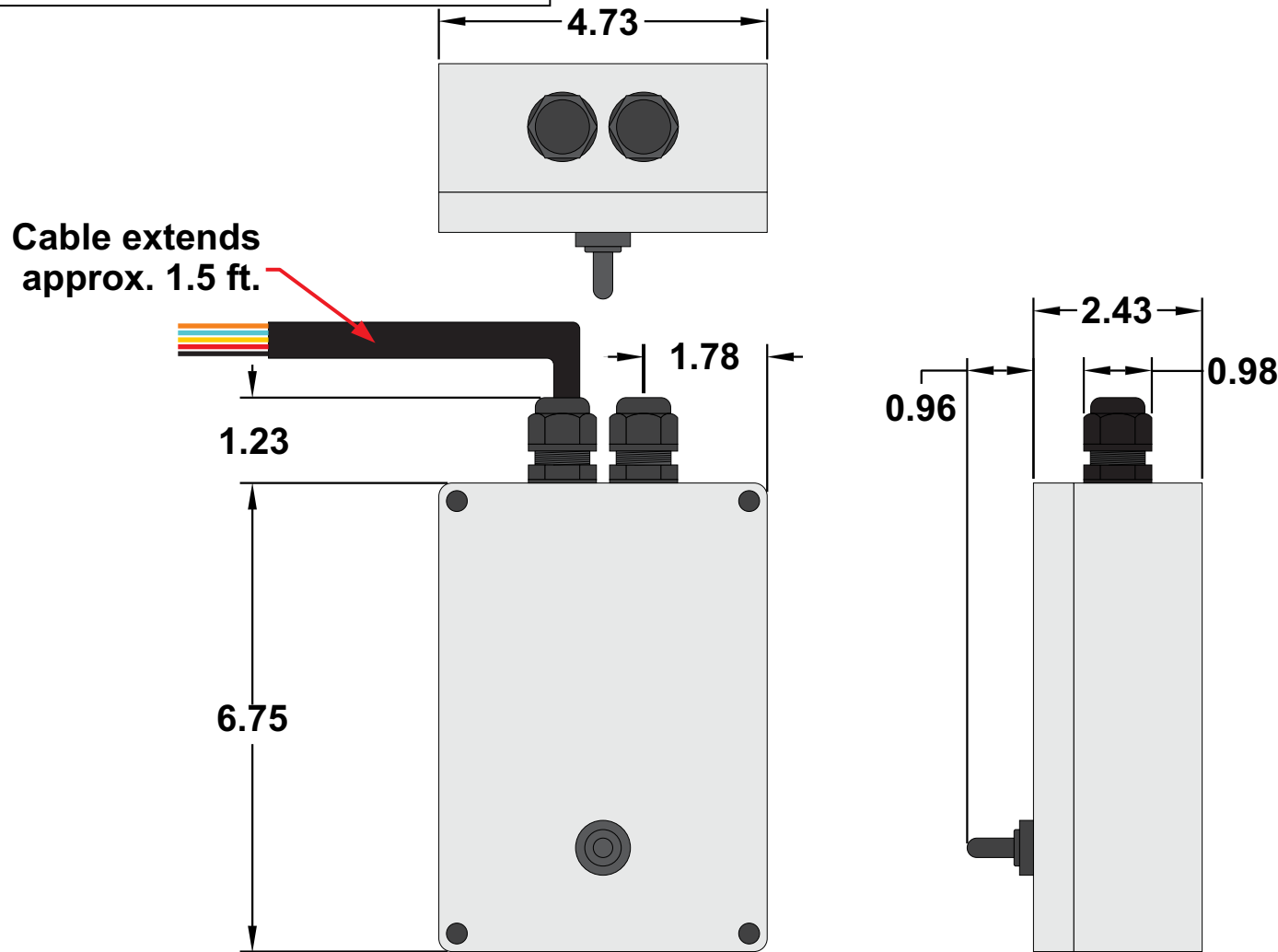


# RF120V-1PR3P-WP

RF Remote Control System for 120VAC  
Pendant Controlled Hoists and Winches

<https://www.gamainc.com/product/rf120v-1pr3p-wp/>

## RF120V-1PR3P-WP Receiver Dimensions



# GAMA ELECTRONICS

P.O. Box 1488, Crystal Lake, IL 60039

Phone: 815-356-9600

Fax: 815-356-9603

Email: [gama@gamainc.com](mailto:gama@gamainc.com)

[www.gamainc.com](http://www.gamainc.com)

## Specifications

- Frequency: 340MHz.
- Input voltage: 120VAC.
- Operating temperature range: 0°F to 160°F.
- Transmit range is 100 feet under normal operating conditions.
- Up to 12 keyfob transmitters can be used with each receiver.
- Receiver can be setup for momentary or latching operation.
- Tested with many popular brands including Warn, Champion and Pittsburgh

Drawn By: KEG

Information contained herein is proprietary information of GAMA Electronics Inc. The dissemination use or duplication of this information, for any purpose other than that for which the information is provided, is prohibited except by express written permission.

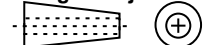
All dimensions are in inches and have a +/- .015" tolerance unless otherwise specified.

Rev: 0

Pg. 1 of 6

Release Date:  
07/30/18

Third Angle Projection



# RF120V-1PR3P-WP

RF Remote Control System for 120VAC  
Pendant Controlled Hoists and Winches

<https://www.gamainc.com/product/rf120v-1pr3p-wp/>

# GAMA ELECTRONICS

P.O. Box 1488, Crystal Lake, IL 60039

Phone: 815-356-9600

Fax: 815-356-9603

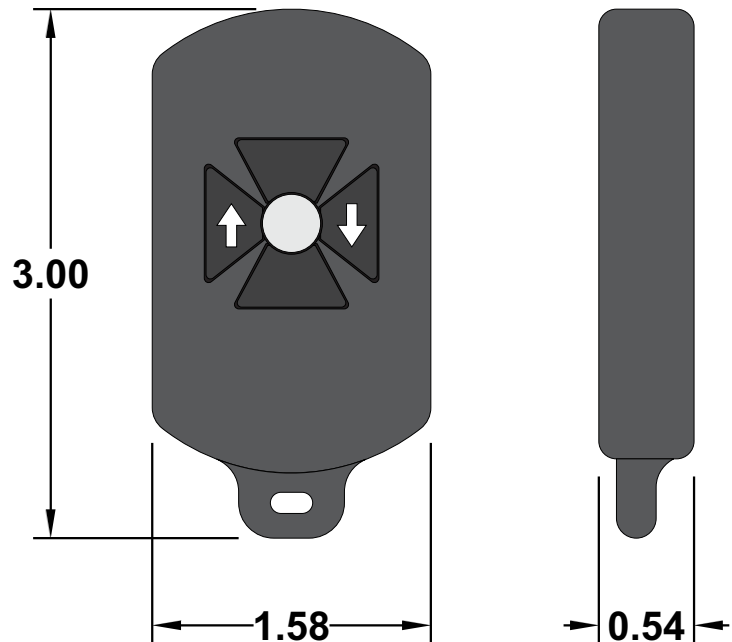
Email: [gama@gamainc.com](mailto:gama@gamainc.com)

[www.gamainc.com](http://www.gamainc.com)

## 2-Button Waterproof Transmitter

[www.gamainc.com/product/kf340-2wp/](http://www.gamainc.com/product/kf340-2wp/)

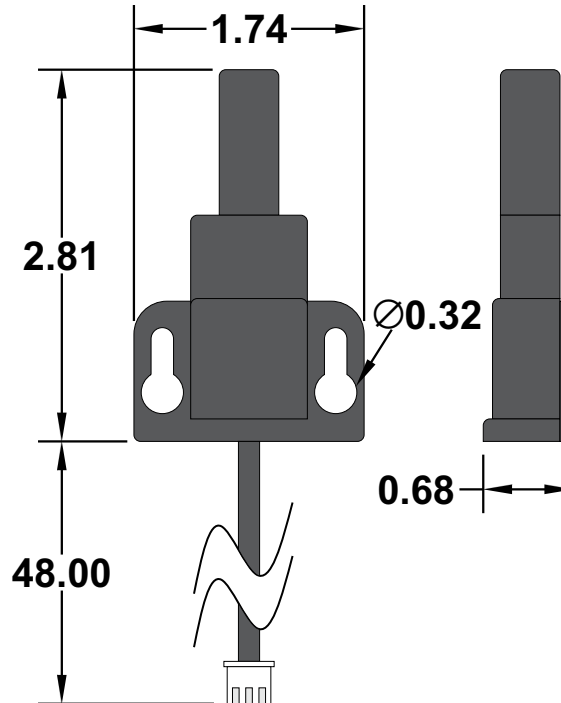
Included with waterproof transmitter  
option



## Long Range Antenna

[www.gamainc.com/product/lra-340/](http://www.gamainc.com/product/lra-340/)

Included with long range option



## Available Accessories

- Extra 2-Button Keyfob Transmitters (KF340-2)
- Extra 2-Button Waterproof Transmitters (KF340-2WP)
- Extra 2-Button Rechargeable Transmitters (GKF-WPTX-2)
- Extra Long Range Antenna (LRA-340)
- Package of 6 A23 12V Alkaline Batteries for Transmitters (A23-6)

Drawn By: KEG

Information contained herein is proprietary information of GAMA Electronics Inc. The dissemination use or duplication of this information, for any purpose other than that for which the information is provided, is prohibited except by express written permission.

All dimensions are in inches and have a +/- .015" tolerance unless otherwise specified.

Rev: 0

Pg. 2 of 6

Release Date:  
07/30/18

Third Angle Projection



# RF120V-1PR3P-WP

RF Remote Control System for 120VAC  
Pendant Controlled Hoists and Winches

<https://www.gamainc.com/product/rf120v-1pr3p-wp/>

# GAMA ELECTRONICS

P.O. Box 1488, Crystal Lake, IL 60039

Phone: 815-356-9600

Fax: 815-356-9603

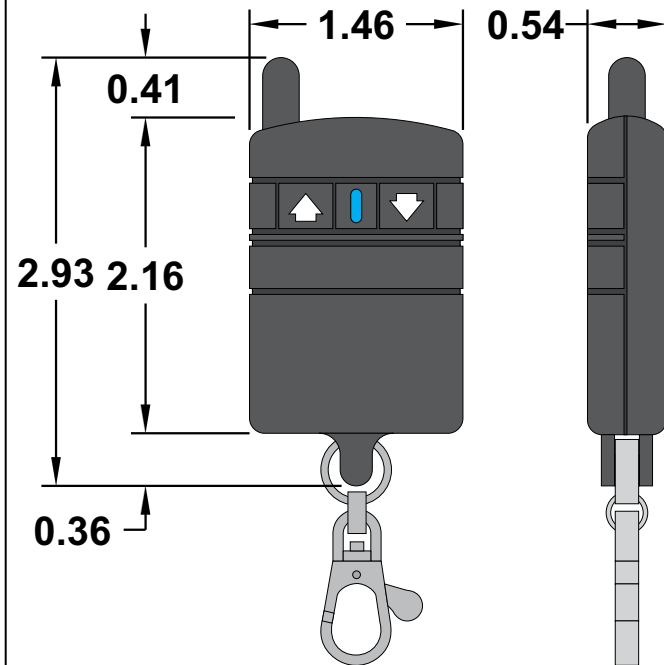
Email: [gama@gamainc.com](mailto:gama@gamainc.com)

[www.gamainc.com](http://www.gamainc.com)

## 2-Button Keyfob Transmitter

[www.gamainc.com/product/kf340-2/](http://www.gamainc.com/product/kf340-2/)

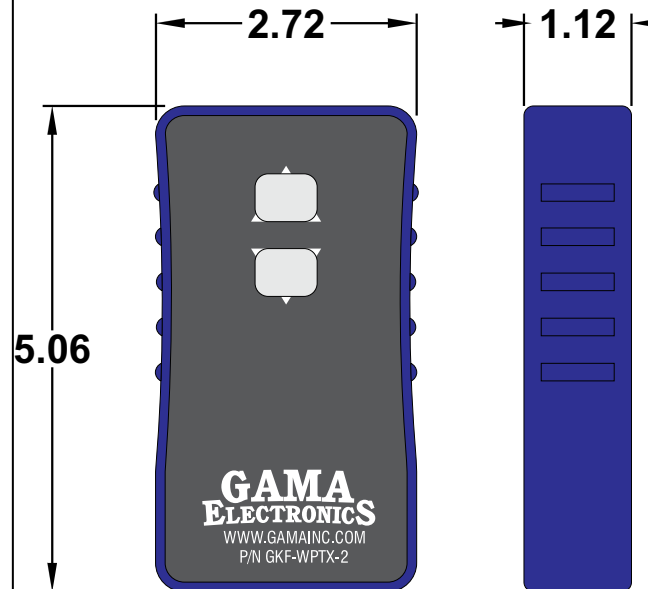
Included with standard transmitter  
option



## 2-Button Rechargeable Transmitter

[www.gamainc.com/product/gkf-wptx-2/](http://www.gamainc.com/product/gkf-wptx-2/)

Included with rechargeable transmitter  
option



Drawn By: KEG

Information contained herein is proprietary information of GAMA Electronics Inc. The dissemination use or duplication of this information, for any purpose other than that for which the information is provided, is prohibited except by express written permission.

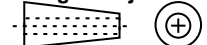
All dimensions are in inches and have a +/- .015" tolerance unless otherwise specified.

Rev: 0

Release Date:  
07/30/18

Pg. 3 of 6

Third Angle Projection



# RF120V-1PR3P-WP

RF Remote Control System for 120VAC  
Pendant Controlled Hoists and Winches

<https://www.gamainc.com/product/rf120v-1pr3p-wp/>

# GAMA ELECTRONICS

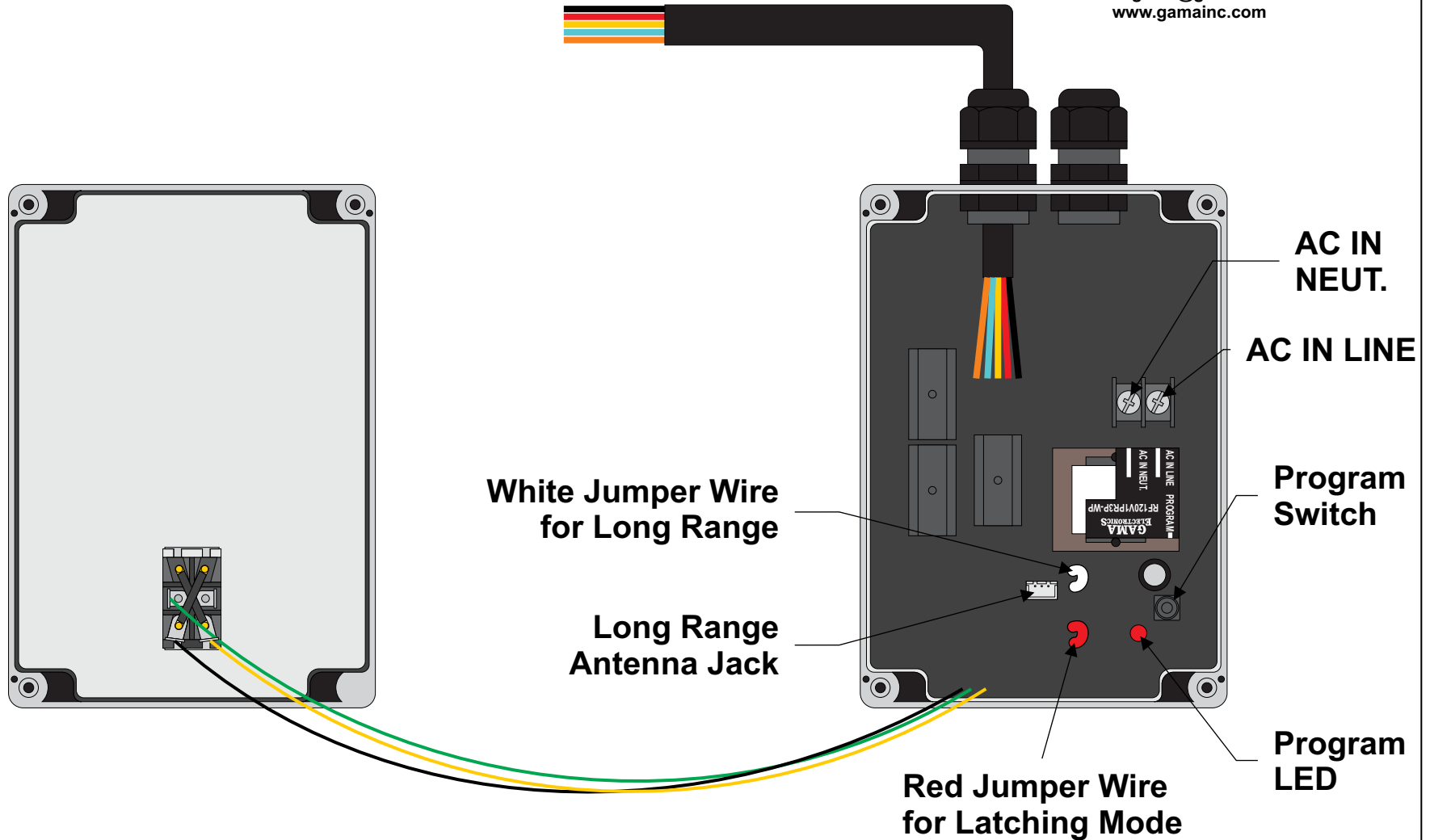
P.O. Box 1488, Crystal Lake, IL 60039

Phone: 815-356-9600

Fax: 815-356-9603

Email: [gama@gamainc.com](mailto:gama@gamainc.com)

[www.gamainc.com](http://www.gamainc.com)



Drawn By: KEG

Information contained herein is proprietary information of GAMA Electronics Inc. The dissemination use or duplication of this information, for any purpose other than that for which the information is provided, is prohibited except by express written permission.

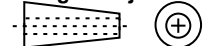
All dimensions are in inches and have a +/- .015" tolerance unless otherwise specified.

Rev: 0

Release Date:  
07/30/18

Pg. 4 of 6

Third Angle Projection



# RF120V-1PR3P-WP

RF Remote Control System for 120VAC  
Pendant Controlled Hoists and Winches

<https://www.gamainc.com/product/rf120v-1pr3p-wp/>

RF120V1PR3P-WP Pendant Wiring for  
Winches With Capacitor in Pendant

# GAMA ELECTRONICS

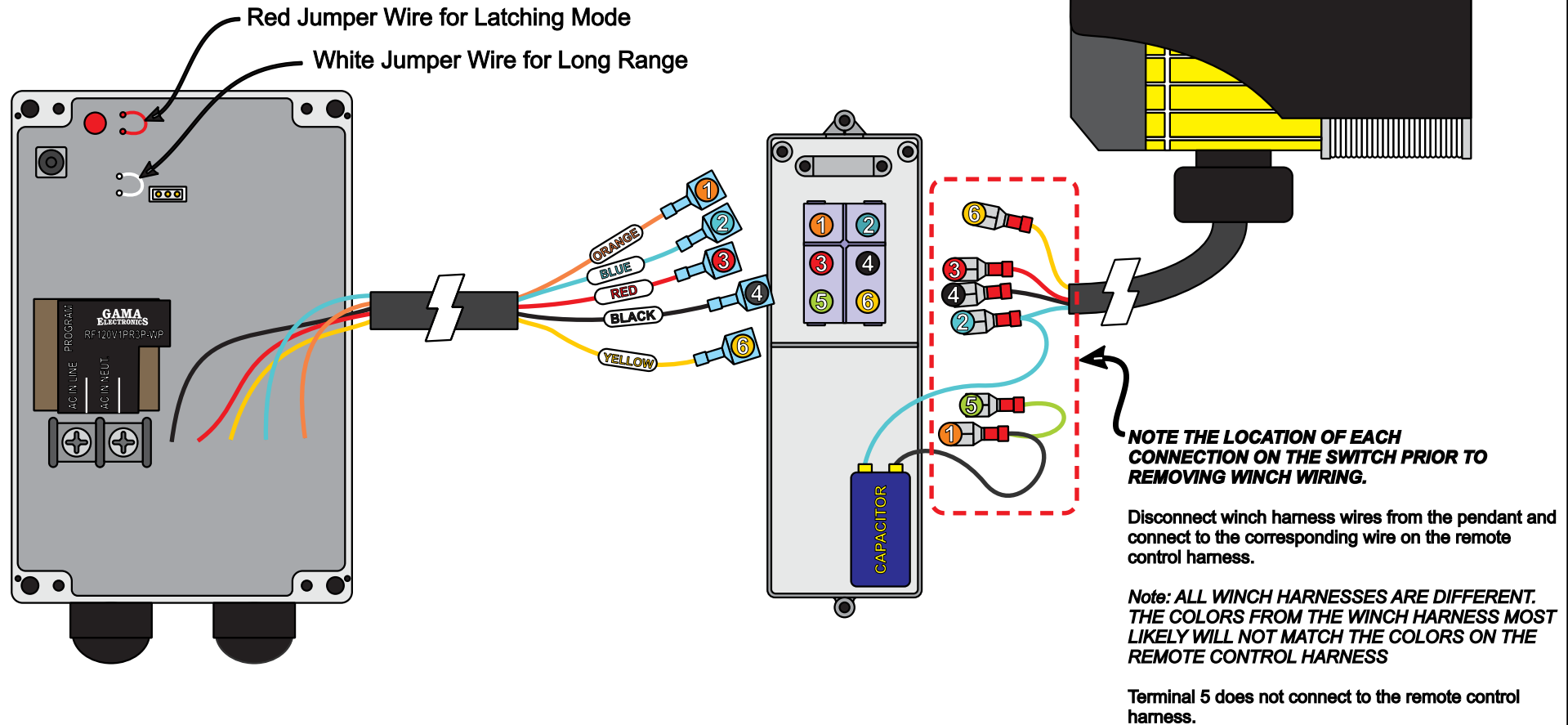
P.O. Box 1488, Crystal Lake, IL 60039

Phone: 815-356-9600

Fax: 815-356-9603

Email: [gama@gamainc.com](mailto:gama@gamainc.com)

[www.gamainc.com](http://www.gamainc.com)



Drawn By: KEG

Information contained herein is proprietary information of GAMA Electronics Inc. The dissemination use or duplication of this information, for any purpose other than that for which the information is provided, is prohibited except by express written permission.

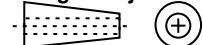
All dimensions are in inches and have a +/- .015" tolerance unless otherwise specified.

Rev: 0

Release Date:  
07/30/18

Pg. 5 of 6

Third Angle Projection



# RF120V-1PR3P-WP

RF Remote Control System for 120VAC  
Pendant Controlled Hoists and Winches

<https://www.gamainc.com/product/rf120v-1pr3p-wp/>

RF120V1PR3P-WP Pendant Wiring for  
Winches Without Capacitor in Pendant

# GAMA ELECTRONICS

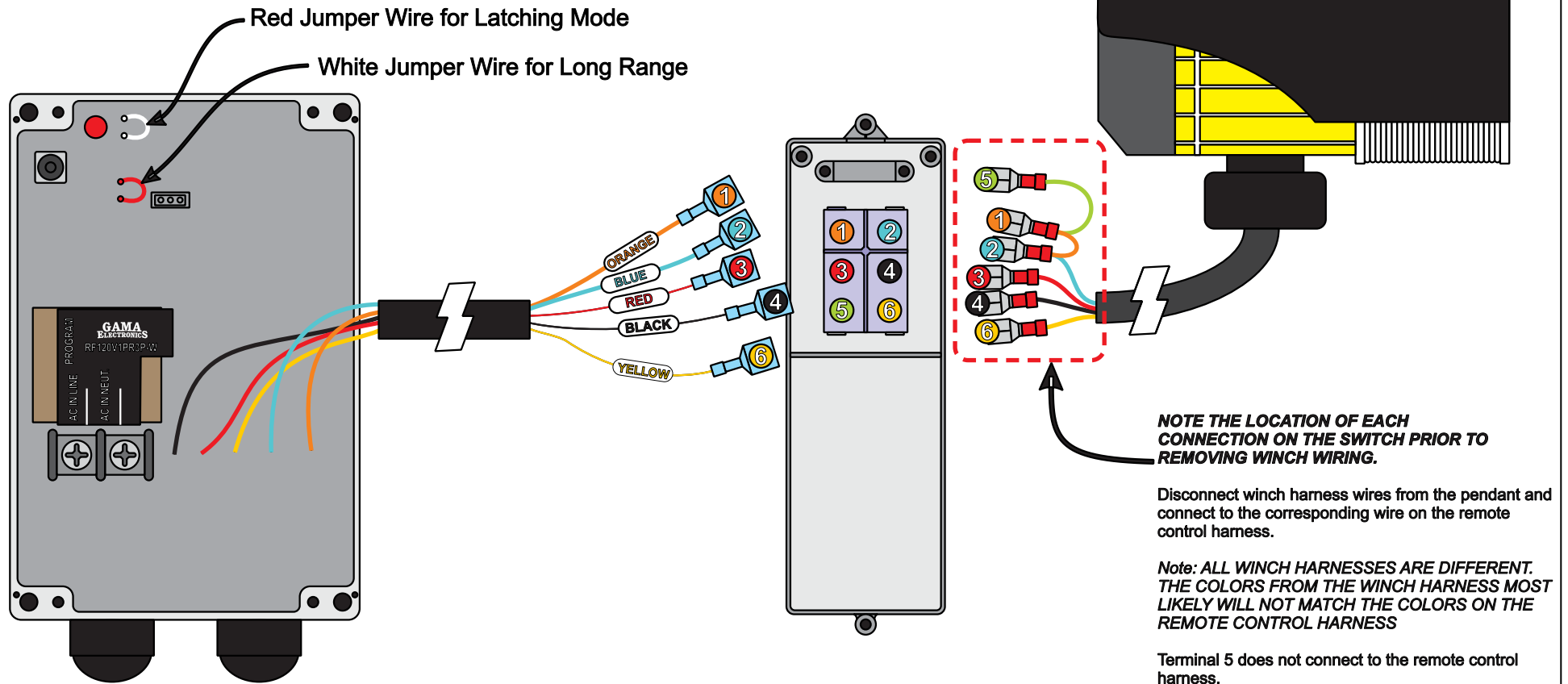
P.O. Box 1488, Crystal Lake, IL 60039

Phone: 815-356-9600

Fax: 815-356-9603

Email: [gama@gamainc.com](mailto:gama@gamainc.com)

[www.gamainc.com](http://www.gamainc.com)



Drawn By: KEG

Information contained herein is proprietary information of GAMA Electronics Inc. The dissemination use or duplication of this information, for any purpose other than that for which the information is provided, is prohibited except by express written permission.

All dimensions are in inches and have a +/- .015" tolerance unless otherwise specified.

Rev: 0

Release Date:  
07/30/18

Pg. 5 of 6

Third Angle Projection

