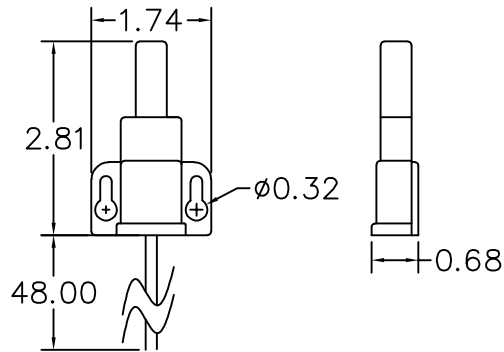
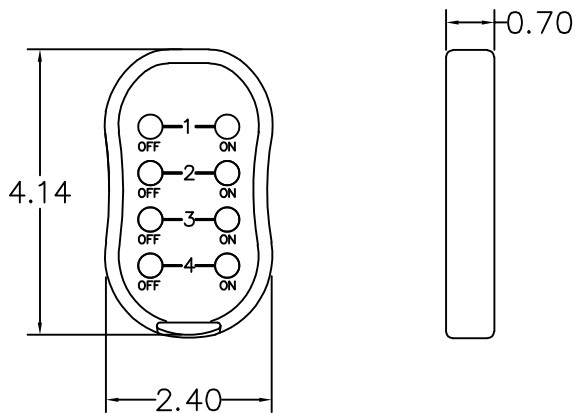


Long Range Antenna  
(LRA340)



Waterproof Transmitter  
(WPT340-RF120V-4),  
Waterproof to IP65



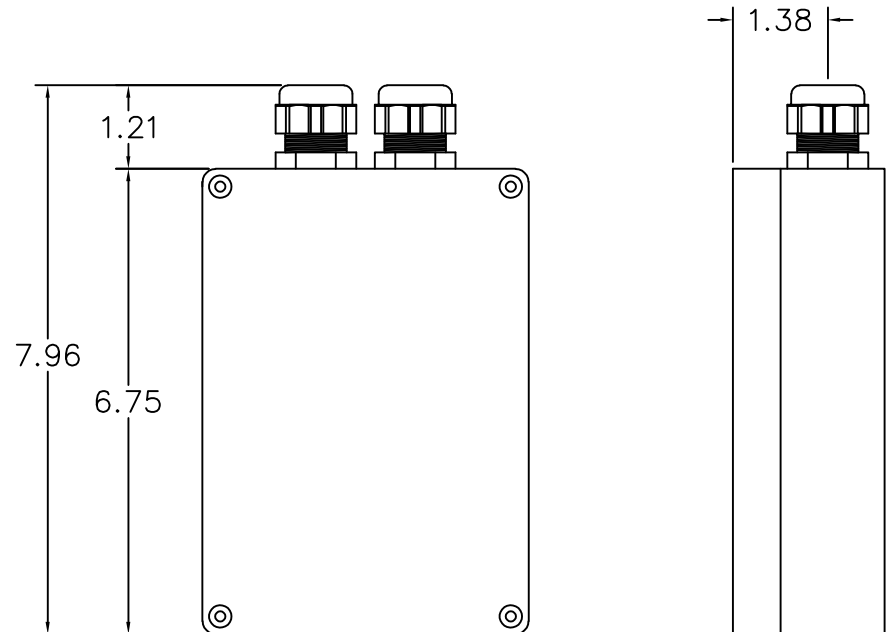
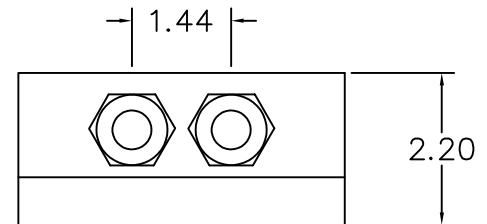
- Specifications:
- Frequency: 340MHz
  - Input voltage: 120VAC
  - The output relays are rated at 20A @ 120VAC, 1 HP 120VAC
  - Operating temperature range: 0°F to 160°F
  - Transmit range is 100 feet under normal operating conditions.
  - Up to 12 keyfob transmitters can be used with each receiver.
  - The transmitter uses 1 A23 12V battery.

- Available Accessories:
- Waterproof Transmitter (WPT340-RF120V-4)
  - Package of 6 A23 12V Alkaline Keyfob Batteries (A23-6)

- Available Kits:
- Standard Kit (Rf120V-4-ASL): Receiver, Transmitter (WPT340-RF120V-4)
  - Long Range Kit (LRF120V-4-ASL): Receiver, Transmitter (WPT340-RF120V-4), Long Range Antenna (LRA-340)

- Functionality:
- 120VAC input
  - 4 independent 120VAC outputs rated at 20A, 1 H.P. @ 120VAC
  - Momentary or latching

SIZE		RF120V-4-ASL			REV.
A					0
REVISIONS					
LET.	WAS	DATE	APP.	ENTERED	
0	Original Release				



INFORMATION CONTAINED HEREIN IS PROPRIETARY INFORMATION OF GAMA ELECTRONICS INC. THE DISSEMINATION, USE OR DUPLICATION OF THIS INFORMATION, FOR ANY PURPOSE OTHER THAN THAT FOR WHICH THE INFORMATION IS PROVIDED, IS PROHIBITED, EXCEPT BY EXPRESS WRITTEN PERMISSION.

DECIMAL TOLERANCE UNLESS OTHERWISE SPECIFIED:


LINEAR:  
 .xxxxxx ±.0005  
 .xxxx ±.001  
 .xxx ±.003  
 .xx ±.015  
 x/x ±1/32  
 x ±1/16

ANGULAR:  
 .xxxx ±01°  
 .xx ±01°  
 x ±1°

THIS DRAWING IN ACCORDANCE WITH DDG-STD-100 UNLESS OTHERWISE SPECIFIED.

All dimensions in inches. (unless otherwise noted)

THIRD ANGLE PROJECTION

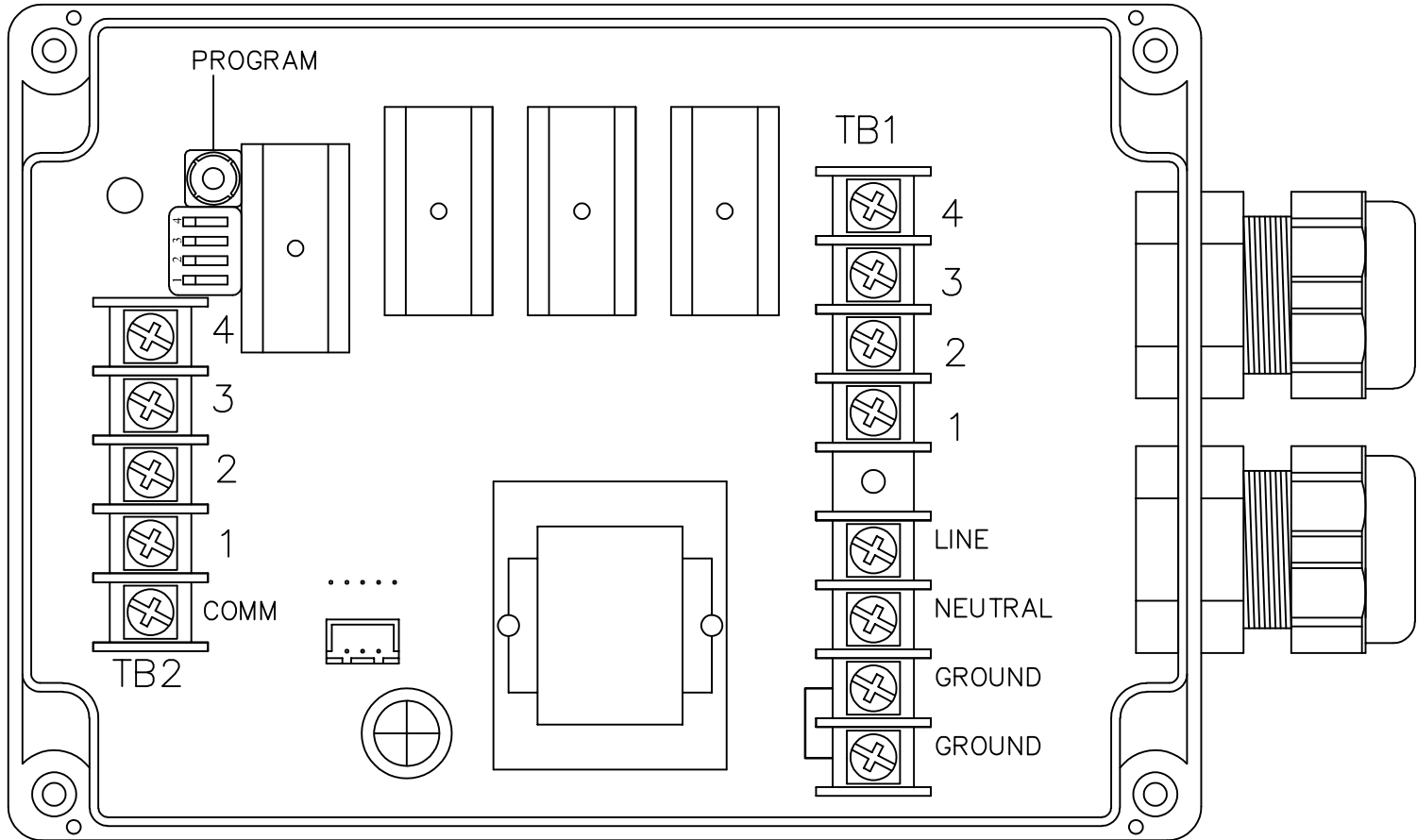
 **GAMA Electronics, Inc.**  
 P.O. Box 1488, Crystal Lake, IL 60039

NAME: R.F Remote

DRN: KEG 06/29/16 MATERIAL:


RELEASED: 06/29/16 SHEET: 1 OF 2

SIZE	RF120V-4-ASL			REV.
A				0
REVISIONS				
LET.	WAS	DATE	APP.	ENTERED
0	Original Release			



INFORMATION CONTAINED HEREIN IS PROPRIETARY INFORMATION OF GAMA ELECTRONICS INC. THE DISSEMINATION, USE OR DUPLICATION OF THIS INFORMATION, FOR ANY PURPOSE OTHER THAN THAT FOR WHICH THE INFORMATION IS PROVIDED, IS PROHIBITED, EXCEPT BY EXPRESS WRITTEN PERMISSION.

DECIMAL TOLERANCE UNLESS OTHERWISE SPECIFIED:  
**LINEAR:**  
 .xxxxxx ±.0005  
 .xxxx ±.001  
 .xxx ±.003  
 .xx ±.015  
 x/x ±1/32  
 x ±1/16  
**ANGULAR:**  
 .xxxx ±01°  
 .xx ±01°  
 x ±1°  
 THIS DRAWING IN ACCORDANCE WITH DDG-STD-100 UNLESS OTHERWISE SPECIFIED.

All dimensions in inches. (unless otherwise noted)		THIRD ANGLE PROJECTION
 <b>GAMA Electronics, Inc.</b> P.O. Box 1488, Crystal Lake, IL 60039		
NAME R.F. Remote		
DRN KEG	6/29/16	MATERIAL
RELEASED	6/29/16	SHEET 2 OF 2