

# RF24V-2-ASL

RF Remote Control System, (2) 24VDC Outputs with auxillary switch leads

<https://www.gamainc.com/product/rf24v-2-asl/>

## RF24V-2-ASL Receiver Dimensions

### Functionality:

- Powered by 24VDC
- (2) 24V Outputs
- Three Auxiliary Switch Leads
- Can be configured for momentary or latching

# GAMA ELECTRONICS

P.O. Box 1488, Crystal Lake, IL 60039

Phone: 815-365-9600

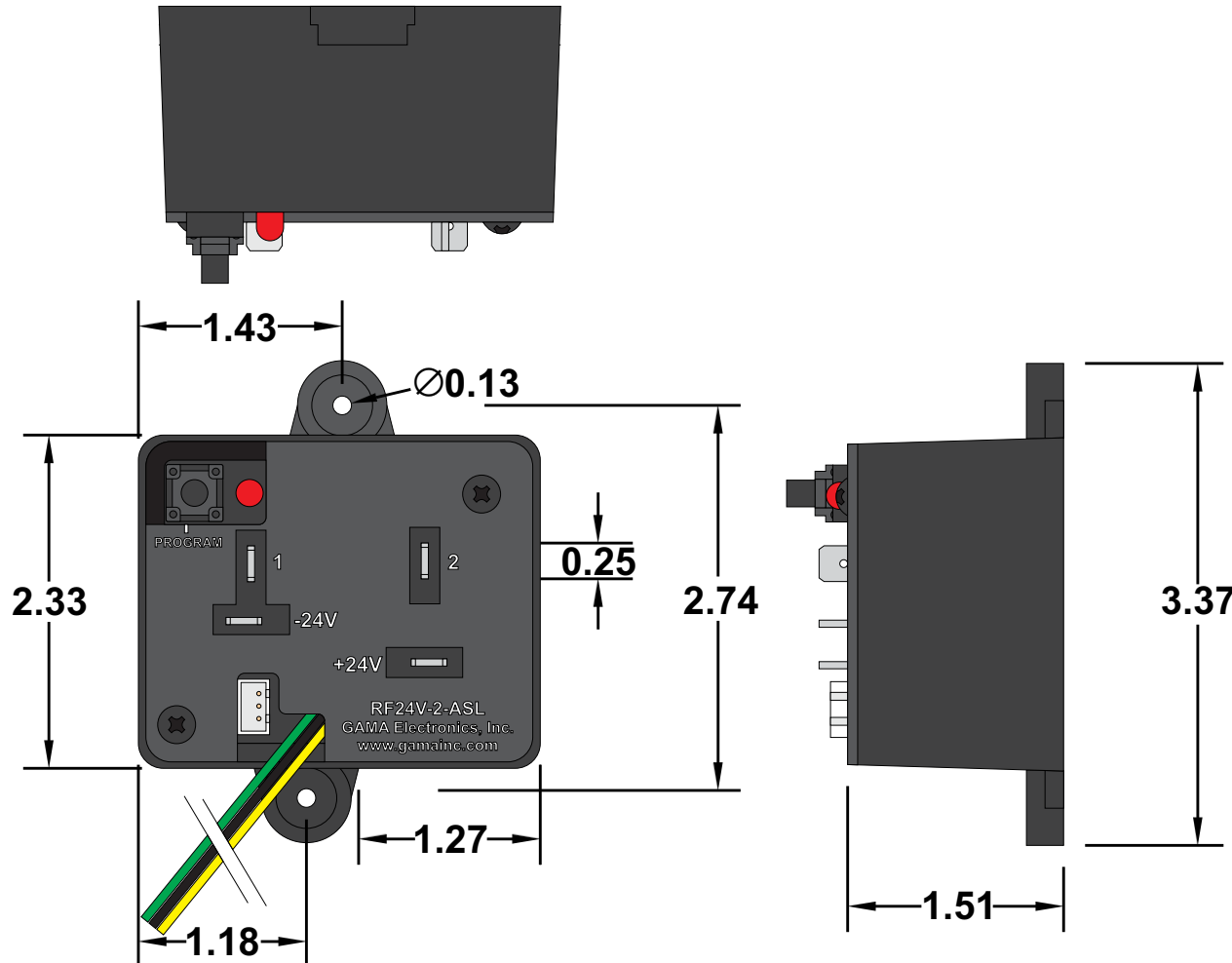
Fax: 815-356-9603

Email: [gama@gamainc.com](mailto:gama@gamainc.com)

[www.gamainc.com](http://www.gamainc.com)

## Specifications

- Frequency: 340 MHz.
- Input voltage: 24VDC with reverse polarity protection.
- The output relays are rated at 30A @24VDC.
- Operating temperature range: 0° F to 160° F.
- Transmit range is greater than 100 feet under normal operating conditions.
- Up to 30 transmitters can be used with each receiver. Only one is supplied when purchasing a receiver.
- The waterproof transmitter (KF340-2WP) and the keyfob transmitter (KF340-2) both use one A23 12V battery. The extended battery life transmitter (KF340-9VB-2) uses one 9 Volt battery.
- Receiver has three 6" ASL wire leads.



Drawn By: KEG

Information contained herein is proprietary information of GAMA Electronics Inc. The dissemination use or duplication of this information, for any purpose other than that for which the information is provided, is prohibited except by express written permission.

All dimensions are in inches and have a +/- .015" tolerance unless otherwise specified.

Rev: A

Pg. 1 of 6

Release Date:  
10/17/18

Third Angle Projection



# RF24V-2-ASL

RF Remote Control System, (2) 24VDC  
Outputs with auxillary switch leads

<https://www.gamainc.com/product/rf24v-2-asl/>

# GAMA ELECTRONICS

P.O. Box 1488, Crystal Lake, IL 60039

Phone: 815-365-9600

Fax: 815-356-9603

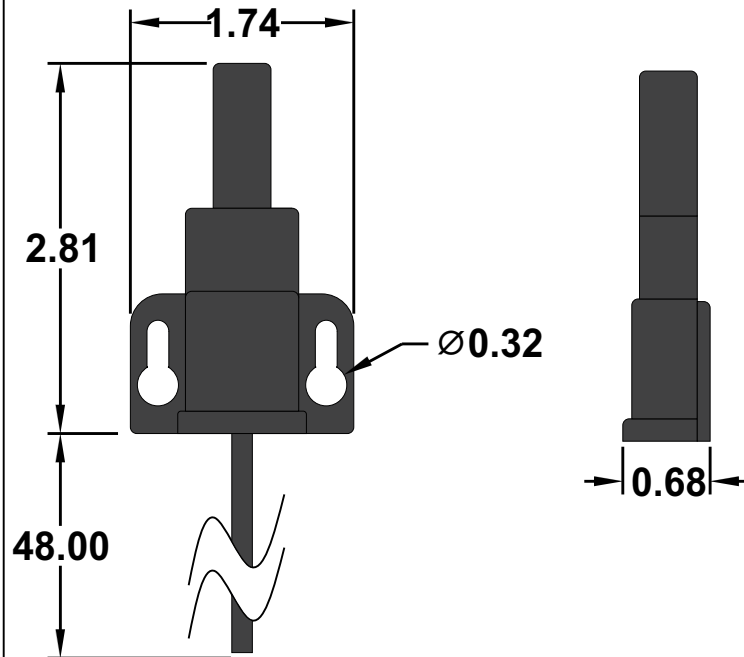
Email: [gama@gamainc.com](mailto:gama@gamainc.com)

[www.gamainc.com](http://www.gamainc.com)

## Long Range Antenna

<https://www.gamainc.com/product/lra-340/>

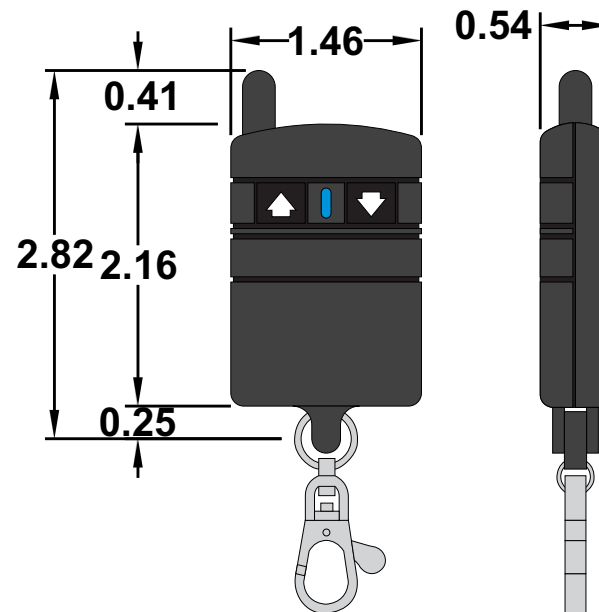
Included with long range option



## 2-Button Keyfob Transmitter

<https://www.gamainc.com/product/kf340-2/>

Included with standard transmitter  
option



## Accessories Sold Separately

- Extra 2-Button Waterproof Transmitter (KF340-2WP)
- Extra 2-Button Keyfob Transmitter (KF340-2)
- Package of 6 replacement A23 12V Alkaline Keyfob Batteries (A23-6)
- 12V to 24V Converter Module (DC2412)
- 12V Wall Mount Power Supply (EPS120050)
- Extra 2-Button Extended Battery Life Transmitter (KF340-9VB-2)

Drawn By: KEG

Information contained herein is proprietary information of GAMA Electronics Inc. The dissemination use or duplication of this information, for any purpose other than that for which the information is provided, is prohibited except by express written permission.

All dimensions are in inches and have a +/- .015" tolerance unless otherwise specified.

Rev: A

Pg. 2 of 6

Release Date:  
10/17/18

Third Angle Projection



# RF24V-2-ASL

RF Remote Control System, (2) 24VDC Outputs with auxillary switch leads

<https://www.gamainc.com/product/rf24v-2-asl/>

# GAMA ELECTRONICS

P.O. Box 1488, Crystal Lake, IL 60039

Phone: 815-365-9600

Fax: 815-356-9603

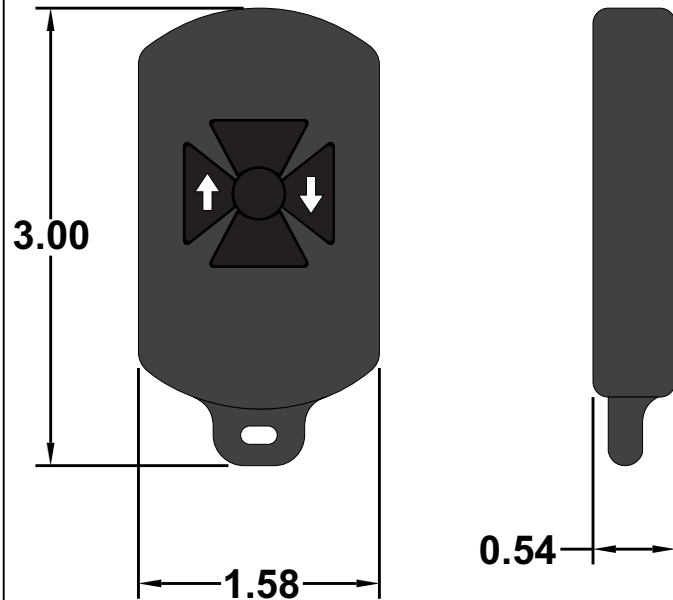
Email: [gama@gamainc.com](mailto:gama@gamainc.com)

[www.gamainc.com](http://www.gamainc.com)

## 2-Button Waterproof Transmitter

<https://www.gamainc.com/product/kf340-2wp/>

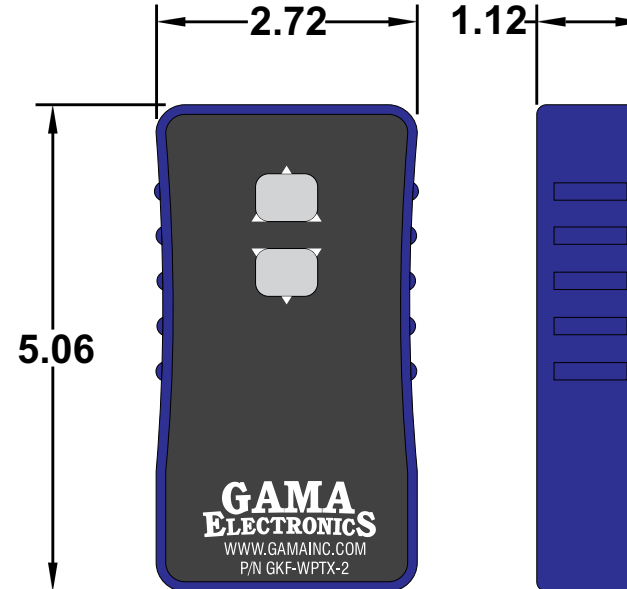
Included with waterproof transmitter option



## 2-Button Rechargeable Transmitter

<https://www.gamainc.com/product/gkf-wptx-2/>

Included with rechargeable transmitter option



Drawn By: KEG

Information contained herein is proprietary information of GAMA Electronics Inc. The dissemination use or duplication of this information, for any purpose other than that for which the information is provided, is prohibited except by express written permission.

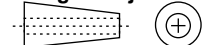
All dimensions are in inches and have a +/- .015" tolerance unless otherwise specified.

Rev: A

Release Date:  
10/17/18

Pg. 3 of 6

Third Angle Projection



# RF24V-2-ASL

RF Remote Control System, (2) 24VDC Outputs with auxillary switch leads

<https://www.gamainc.com/product/rf24v-2-asl/>

Waterproof Enclosure

Included with waterproof enclosure option

# GAMA ELECTRONICS

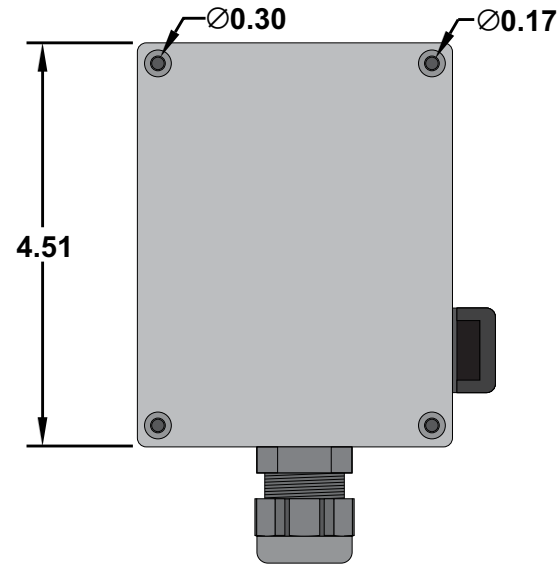
P.O. Box 1488, Crystal Lake, IL 60039

Phone: 815-365-9600

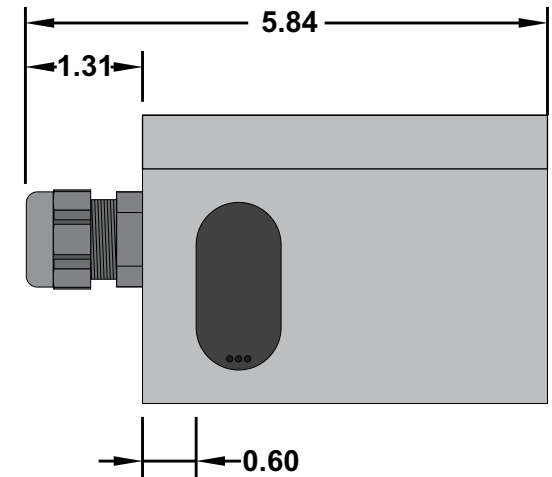
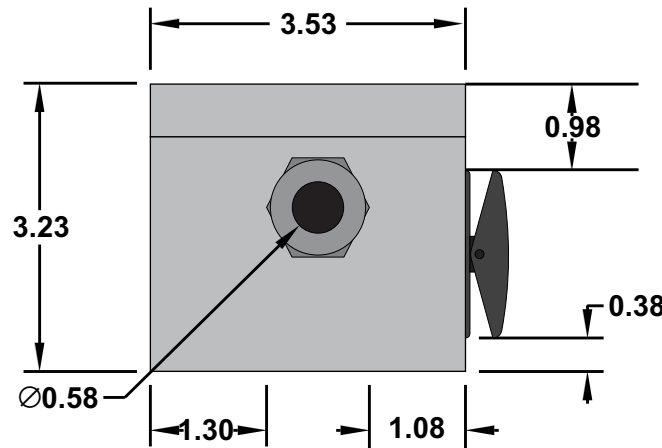
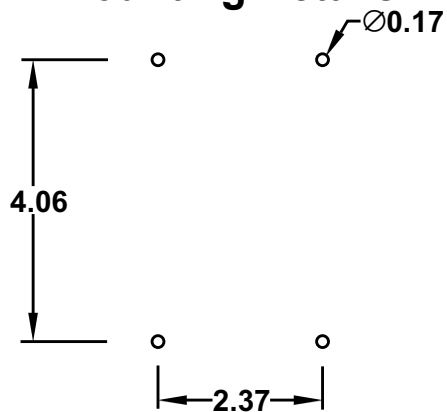
Fax: 815-356-9603

Email: [gama@gamainc.com](mailto:gama@gamainc.com)

[www.gamainc.com](http://www.gamainc.com)



## Mounting Details



Drawn By: KEG

Information contained herein is proprietary information of GAMA Electronics Inc. The dissemination use or duplication of this information, for any purpose other than that for which the information is provided, is prohibited except by express written permission.

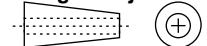
All dimensions are in inches and have a +/- .015" tolerance unless otherwise specified.

Rev: A

Release Date:  
10/17/18

Pg. 4 of 6

Third Angle Projection



# RF24V-2-ASL

RF Remote Control System, (2) 24VDC  
Outputs with auxillary switch leads

<https://www.gamainc.com/product/rf24v-2-asl/>

# GAMA ELECTRONICS

P.O. Box 1488, Crystal Lake, IL 60039

Phone: 815-365-9600

Fax: 815-356-9603

Email: [gama@gamainc.com](mailto:gama@gamainc.com)

[www.gamainc.com](http://www.gamainc.com)

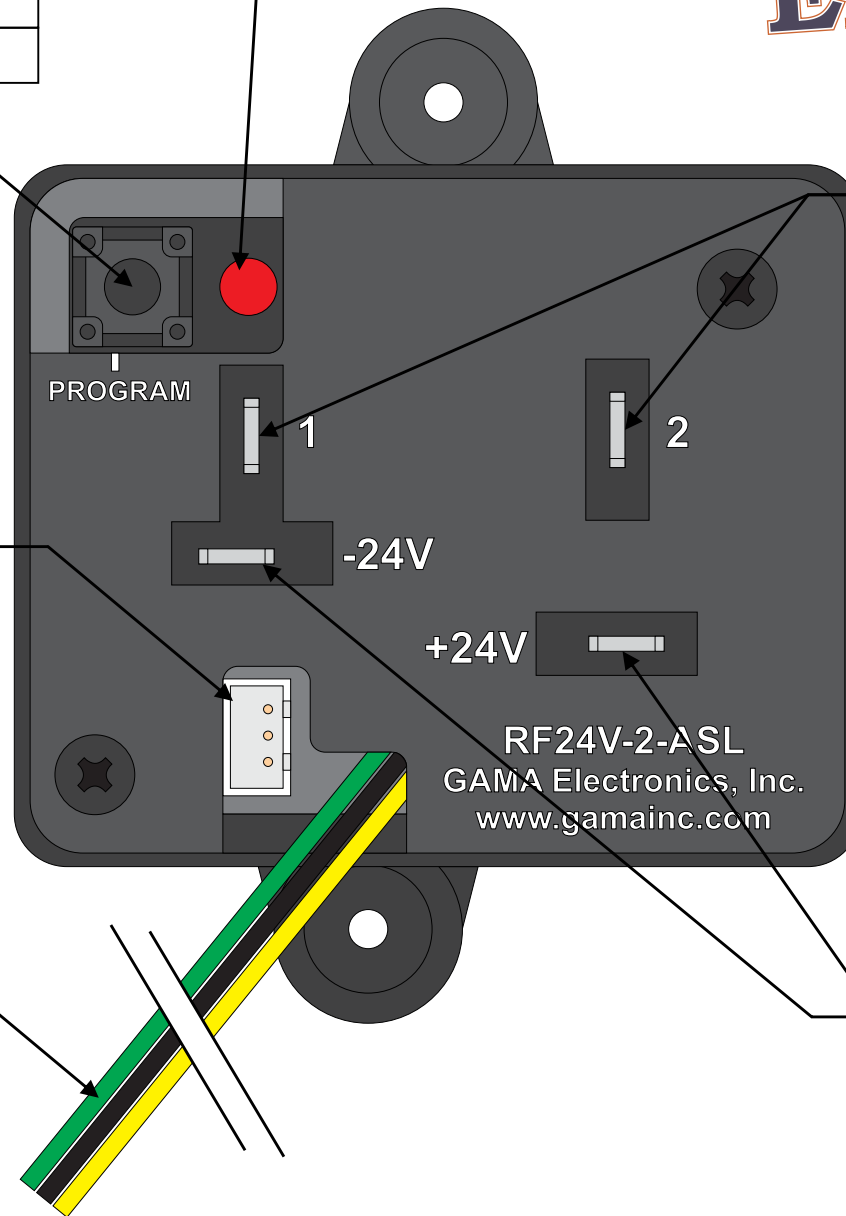
Program Switch

Program LED

Motor Outputs

Long Range  
Antenna Jack

Auxiliary Switch  
Leads



Drawn By: KEG

Information contained herein is proprietary information of GAMA Electronics Inc. The dissemination use or duplication of this information, for any purpose other than that for which the information is provided, is prohibited except by express written permission.

All dimensions are in inches and have a +/- .015" tolerance unless otherwise specified.

Rev: A

Release Date:  
10/17/18

Pg. 5 of 6

Third Angle Projection



# RF24V-2-ASL

RF Remote Control System, (2) 24VDC  
Outputs with auxillary switch leads

<https://www.gamainc.com/product/rf24v-2-asl/>

# GAMA ELECTRONICS

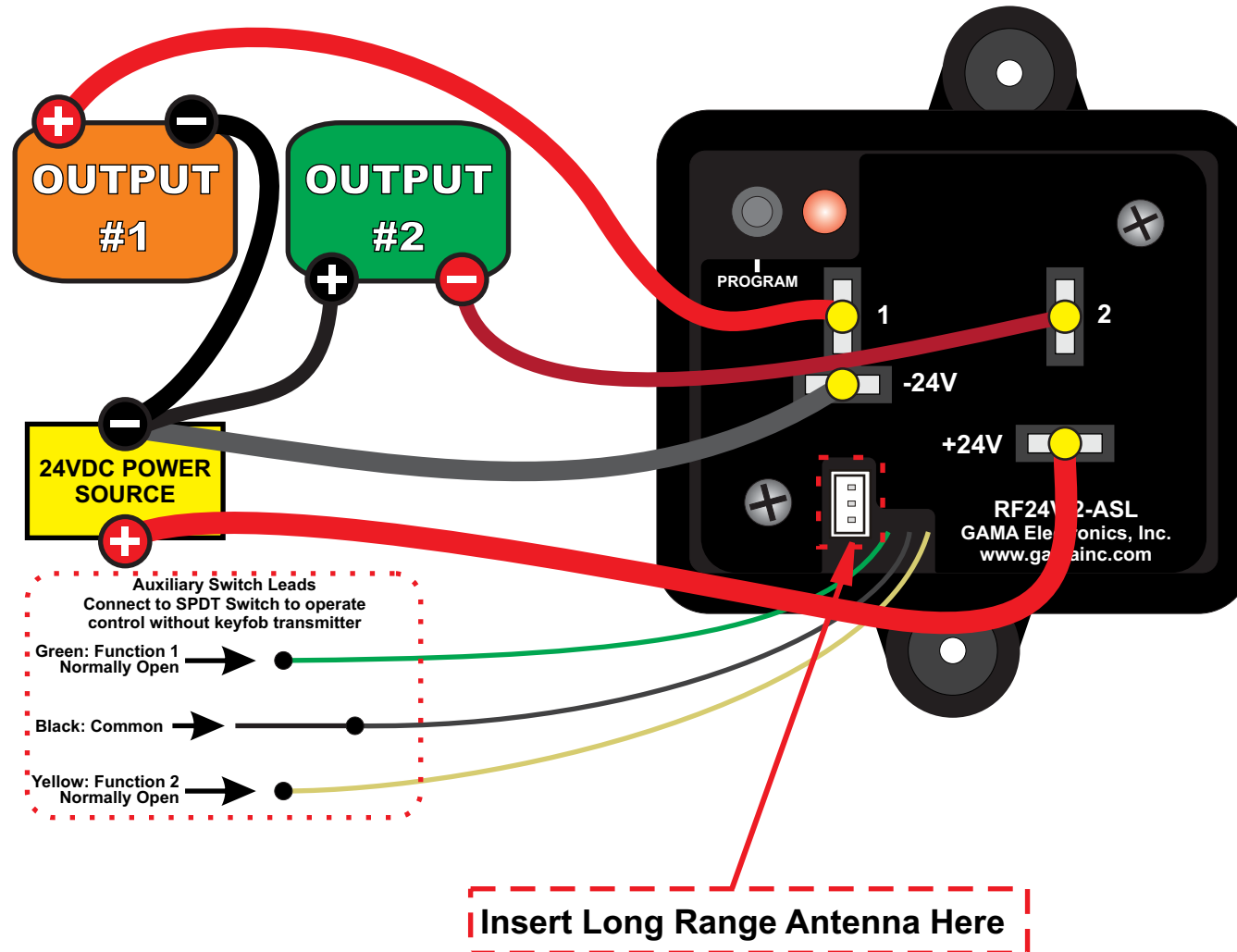
P.O. Box 1488, Crystal Lake, IL 60039

Phone: 815-365-9600

Fax: 815-356-9603

Email: [gama@gamainc.com](mailto:gama@gamainc.com)

[www.gamainc.com](http://www.gamainc.com)



Drawn By: KEG

Information contained herein is proprietary information of GAMA Electronics Inc. The dissemination use or duplication of this information, for any purpose other than that for which the information is provided, is prohibited except by express written permission.

All dimensions are in inches and have a +/- .015" tolerance unless otherwise specified.

Rev: A

Release Date:  
10/17/18

Pg. 6 of 6

Third Angle Projection

