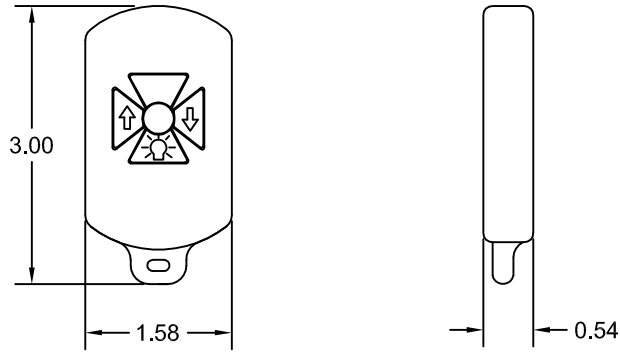
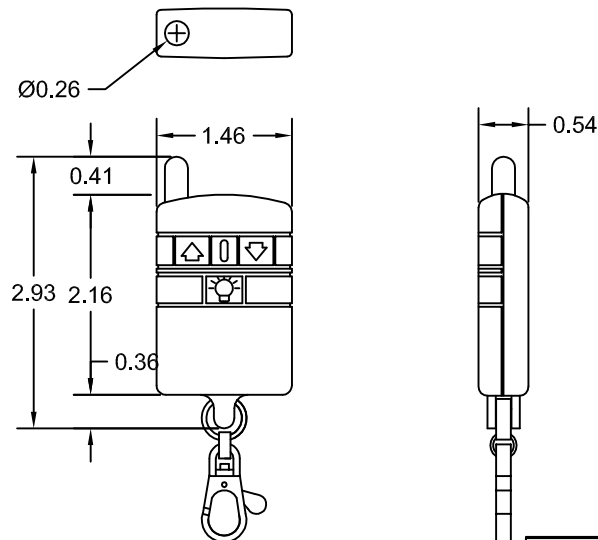


3-Button Waterproof Transmitter  
(KF340-3L-WP), supplied with waterproof option

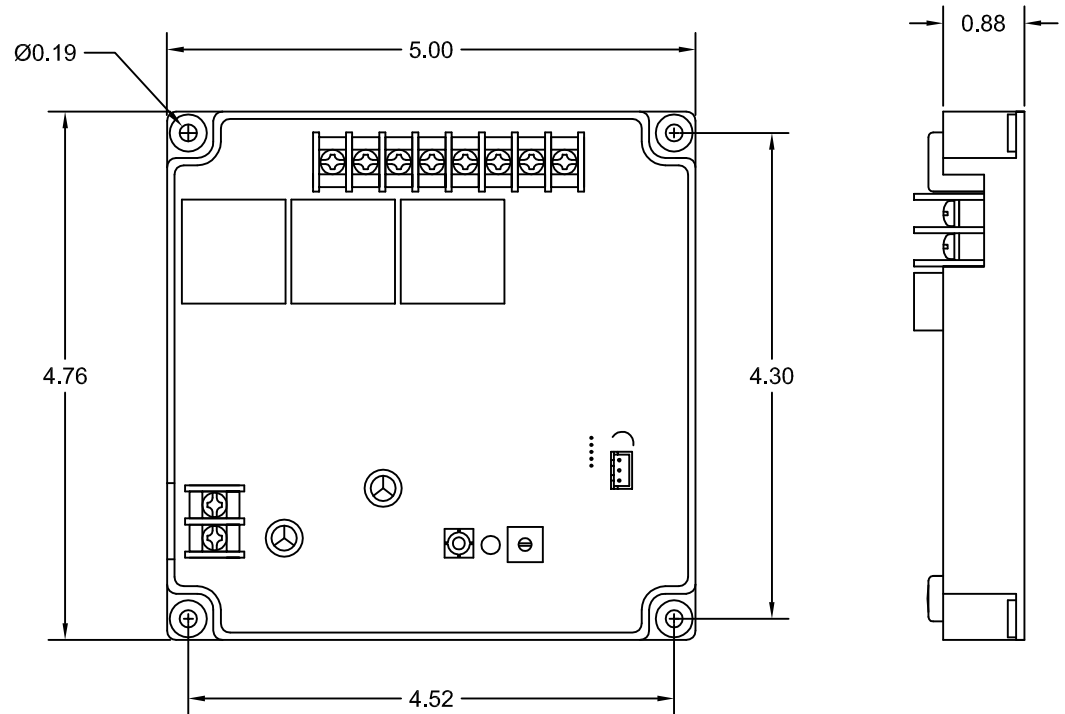


3-Button Keyfob Transmitter (KF340-3),  
supplied with standard option



SIZE		RF24V1PR-LS			REV.
A					O
REVISIONS					
LET.	WAS	DATE	APP.	ENTERED	
O	Original Release	04/22/20			

Receiver



Specifications

- Outputs rated at 30A @ 24VDC
- Input: 24VDC, polarity reversing
- Transmit range is 100 under normal operating conditions.
- Operating temperature range: 0°F to 160°F
- Can be configured for momentary or latching operation.

INFORMATION CONTAINED HEREIN IS PROPRIETARY INFORMATION OF GAMA ELECTRONICS INC. THE DISSEMINATION, USE OR DUPLICATION OF THIS INFORMATION, FOR ANY PURPOSE OTHER THAN THAT FOR WHICH THE INFORMATION IS PROVIDED, IS PROHIBITED, EXCEPT BY EXPRESS WRITTEN PERMISSION.

DECIMAL TOLERANCE UNLESS OTHERWISE SPECIFIED:

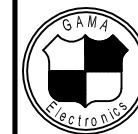
LINEAR:  
 .XXXXX ±.0005  
 .XXXX ±.001  
 .XXX ±.003  
 .XX ±.015  
 X/X ±1/32  
 X ±1/16

ANGULAR:  
 .XXXX ±01°  
 .XX ±01°  
 X ±1°

THIS DRAWING IN ACCORDANCE WITH DDG-STD-100 UNLESS OTHERWISE SPECIFIED.

All dimensions in inches.  
(unless otherwise noted)

THIRD ANGLE PROJECTION



**GAMA Electronics, Inc.**

P.O. Box 1488, Crystal Lake, IL 60039

NAME

Remote Control

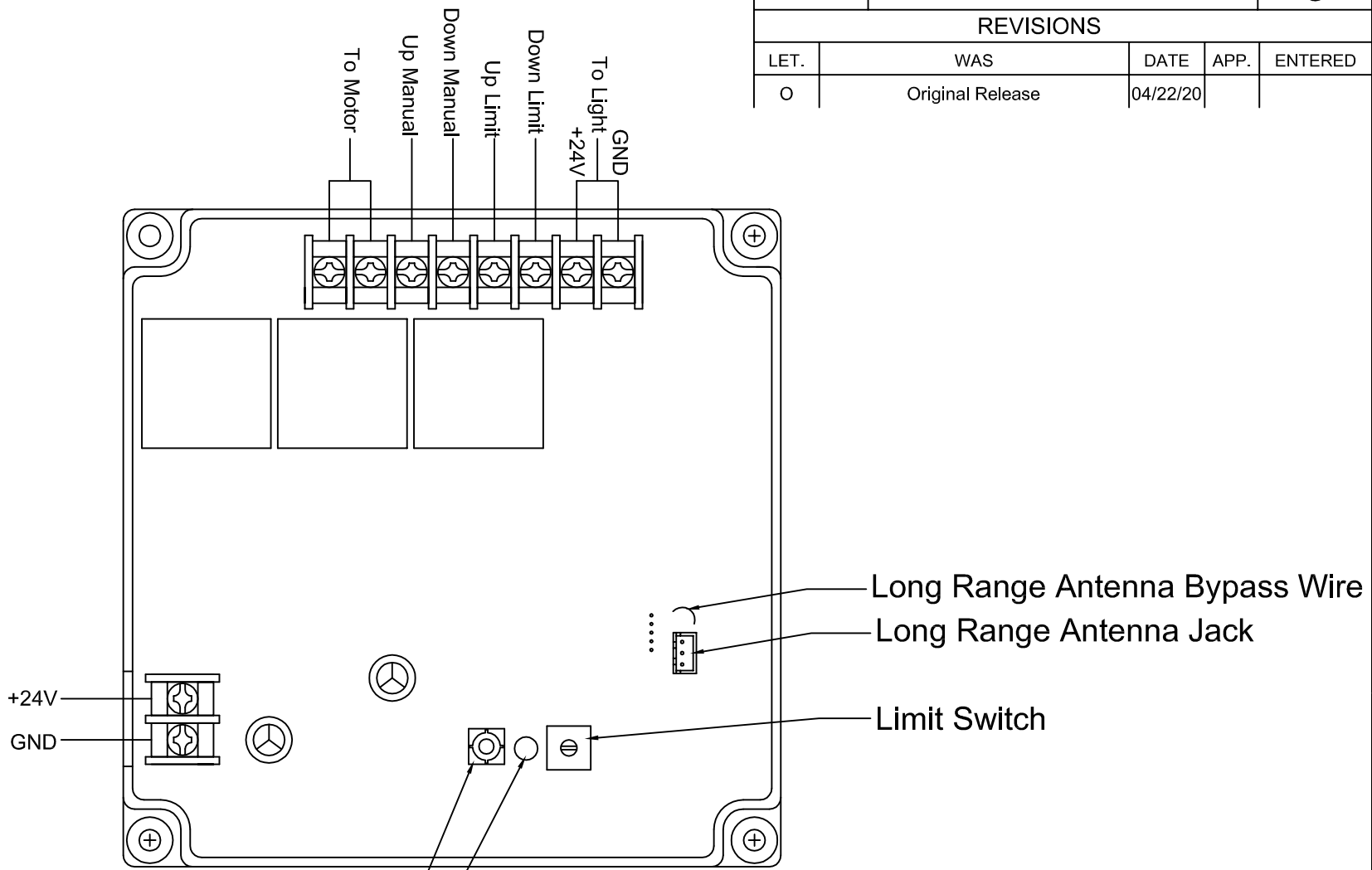
DRN, KEG 04/22/20

MATERIAL

RELEASED 04/22/20


SHEET 1 OF 2

SIZE	RF24V1PR-LS			REV.
A				O
REVISIONS				
LET.	WAS	DATE	APP.	ENTERED
O	Original Release	04/22/20		



Programming Switch  
Programming LED

DECIMAL TOLERANCE UNLESS OTHERWISE SPECIFIED:  
 LINEAR:  
 .XXXXX ±.0005  
 .XXXX ±.001  
 .XXX ±.003  
 .XX ±.015  
 X/X ±1/32  
 X ±1/16  
 ANGULAR:  
 .XXXX ±01°  
 .XX ±01°  
 X ±1°  
 THIS DRAWING IN ACCORDANCE WITH DDG-STD-100 UNLESS OTHERWISE SPECIFIED.

All dimensions in inches. (unless otherwise noted)		THIRD ANGLE PROJECTION
 <b>GAMA Electronics, Inc.</b> P.O. Box 1488, Crystal Lake, IL 60039		
NAME <b>Remote Control</b>		
DRN KEG	04/22/20	MATERIAL
RELEASED 04/22/20		SHEET 2 OF 2

INFORMATION CONTAINED HEREIN IS PROPRIETARY INFORMATION OF GAMA ELECTRONICS INC. THE DISSEMINATION, USE OR DUPLICATION OF THIS INFORMATION, FOR ANY PURPOSE OTHER THAN THAT FOR WHICH THE INFORMATION IS PROVIDED, IS PROHIBITED, EXCEPT BY EXPRESS WRITTEN PERMISSION.