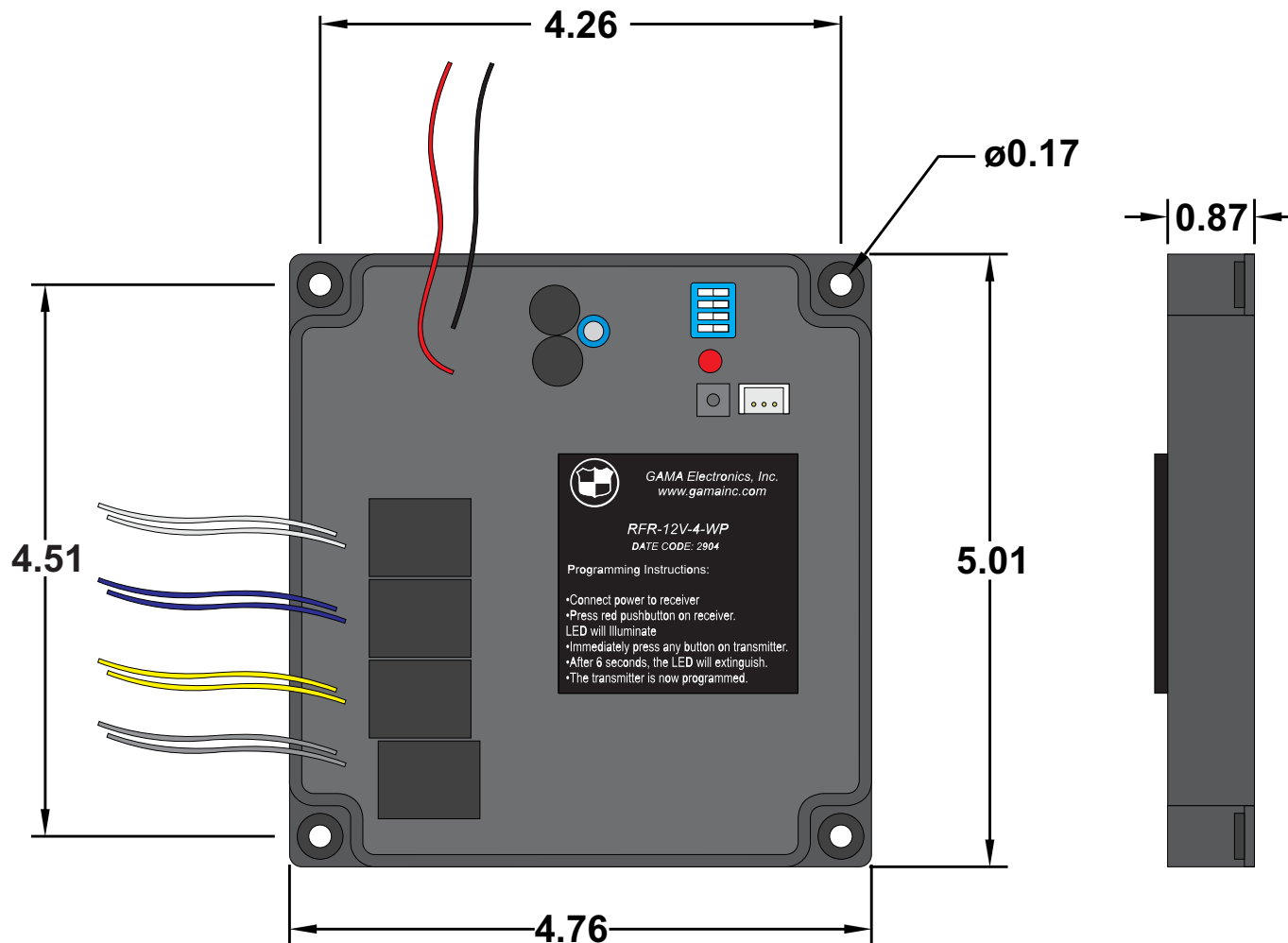


RFR12V-4WP

RF Remote Control System, (4)
separate contact closures

<https://www.gamainc.com/product/rfr12v-4wp/>

RFR12V-4WP Receiver Dimensions



GAMA ELECTRONICS

P.O. Box 1488, Crystal Lake, IL 60039

Phone: 815-356-9600

Fax: 815-356-9603

Email: gama@gamainc.com

www.gamainc.com

Specifications

- Frequency: 340 MHz.
- Input voltage: 12VDC with reverse polarity protection.
- The output relays are rated at 10A @125VAC & 12VDC.
- Operating temperature range: 0°F to 160°F.
- Transmit range is greater than 100 feet under normal operating conditions.
- Up to 30 keyfob transmitters can be used with each receiver.
- Waterproof Transmitter

Drawn By: KEG

Information contained herein is proprietary information of GAMA Electronics Inc. The dissemination use or duplication of this information, for any purpose other than that for which the information is provided, is prohibited except by express written permission.

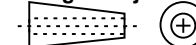
All dimensions are in inches and have a +/- .015" tolerance unless otherwise specified.

Rev: A

Pg. 1 of 5

Release Date:
08/06/18

Third Angle Projection



RFR12V-4WP

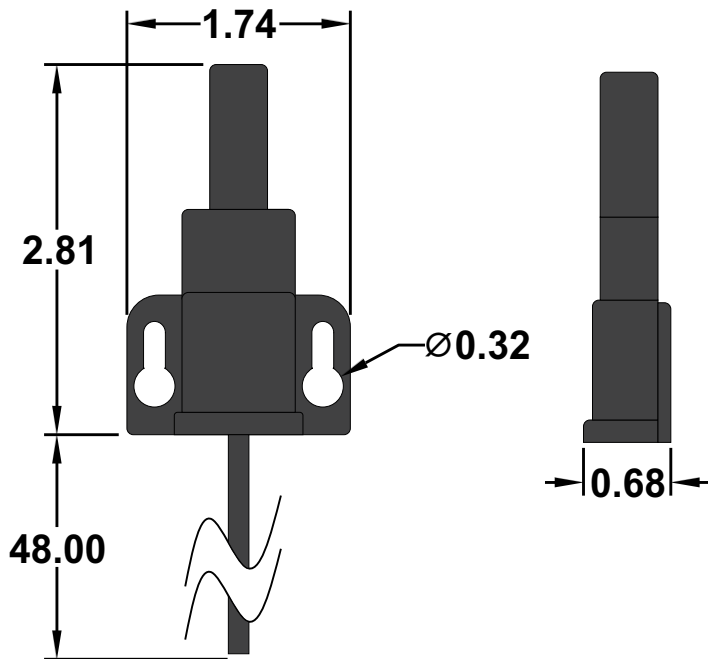
RF Remote Control System, (4)
separate contact closures

<https://www.gamainc.com/product/rfr12v-4wp/>

Long Range Antenna

<https://www.gamainc.com/product/lra-340/>

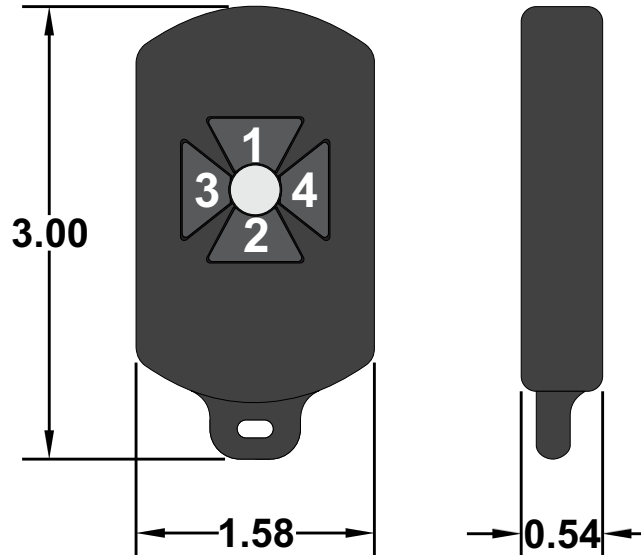
Included with long range option



4-Button Waterproof Transmitter

<https://www.gamainc.com/product/kf340-4wp/>

Included with standard transmitter
option



GAMA ELECTRONICS

P.O. Box 1488, Crystal Lake, IL 60039

Phone: 815-356-9600

Fax: 815-356-9603

Email: gama@gamainc.com

www.gamainc.com

Accessories Sold Separately

- Extra 4-Button Waterproof Transmitters ([KF340-4WP](#))
- Extra Long Range Antennas ([LRA-340](#))
- Extra Waterproof Enclosures ([GWE-663-812](#))
- Package of 6 A23 12V Alkaline Keyfob Batteries ([A23-6](#))
- Wall Mount Power Supply ([EPS120050](#))

Drawn By: KEG

Information contained herein is proprietary information of GAMA Electronics Inc. The dissemination use or duplication of this information, for any purpose other than that for which the information is provided, is prohibited except by express written permission.

All dimensions are in inches and have a +/- .015" tolerance unless otherwise specified.

Rev: A

Release Date:
08/06/18

Pg. 2 of 5

Third Angle Projection



RFR12V-4WP

RF Remote Control System, (4)
separate contact closures

<https://www.gamainc.com/product/rfr12v-4wp/>

GAMA ELECTRONICS

P.O. Box 1488, Crystal Lake, IL 60039

Phone: 815-356-9600

Fax: 815-356-9603

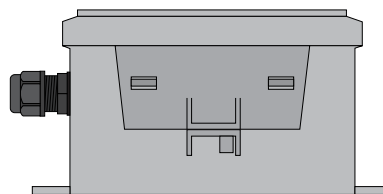
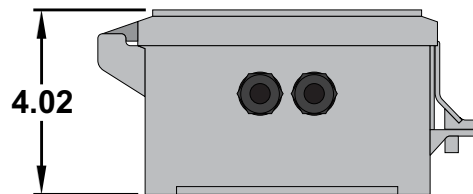
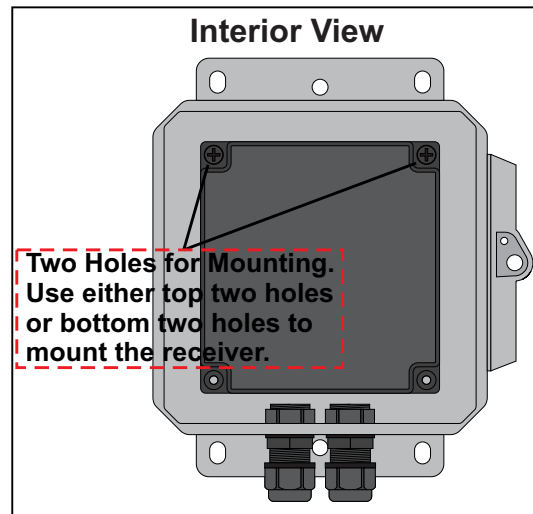
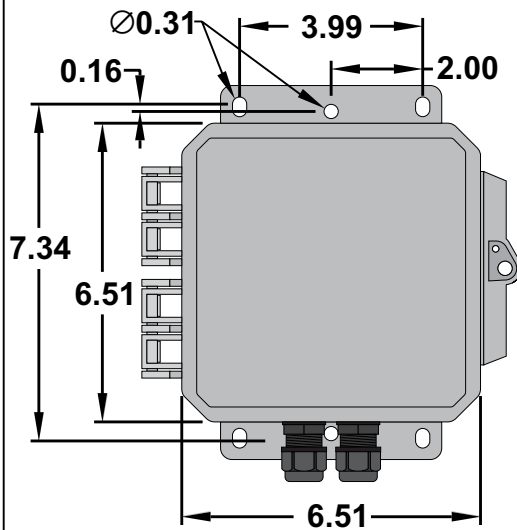
Email: gama@gamainc.com

www.gamainc.com

Waterproof Enclosure

<https://www.gamainc.com/product/gwe-663-812/>

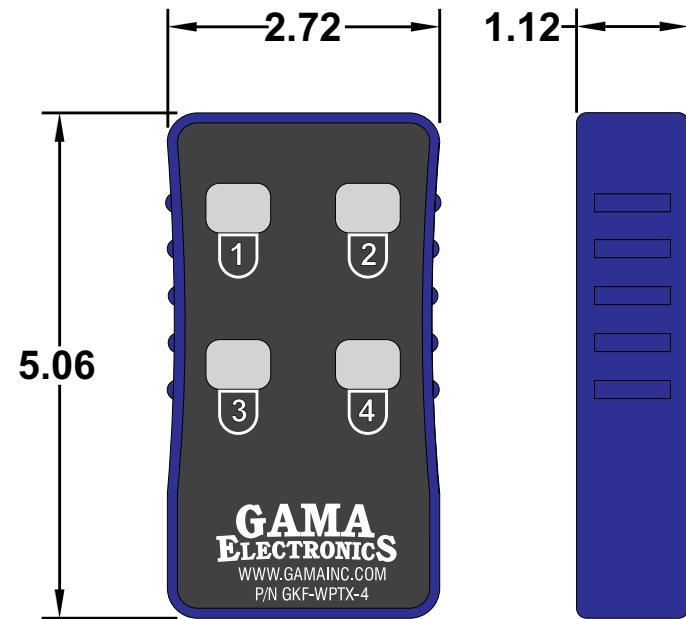
Included with waterproof enclosure option



Rechargeable Transmitter

<https://www.gamainc.com/product/gkf-wtpx-4>

Included with rechargeable transmitter option



Drawn By: KEG

Information contained herein is proprietary information of GAMA Electronics Inc. The dissemination use or duplication of this information, for any purpose other than that for which the information is provided, is prohibited except by express written permission.

All dimensions are in inches and have a +/- .015" tolerance unless otherwise specified.

Rev: A

Release Date:
08/06/18

Pg. 3 of 5

Third Angle Projection



RFR12V-4WP

RF Remote Control System, (4)
separate contact closures

<https://www.gamainc.com/product/rfr12v-4wp/>

Wiring Diagram

GAMA ELECTRONICS

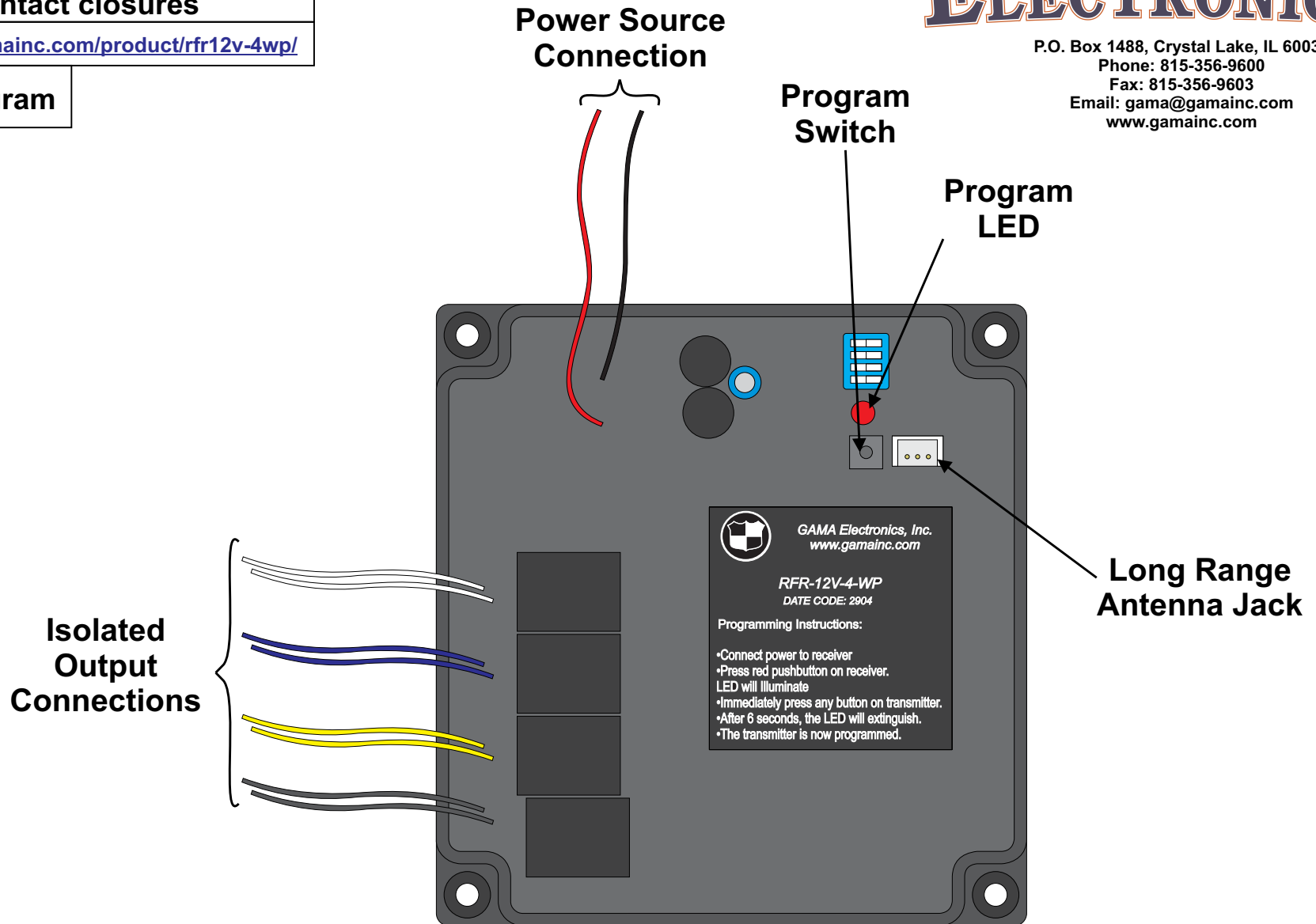
P.O. Box 1488, Crystal Lake, IL 60039

Phone: 815-356-9600

Fax: 815-356-9603

Email: gama@gamainc.com

www.gamainc.com



Drawn By: KEG

Information contained herein is proprietary information of GAMA Electronics Inc. The dissemination use or duplication of this information, for any purpose other than that for which the information is provided, is prohibited except by express written permission.

All dimensions are in inches and have a +/- .015" tolerance unless otherwise specified.

Rev: A

Release Date:
08/06/18

Pg. 4 of 5

Third Angle Projection



RFR12V-4WP

RF Remote Control System, (4) separate contact closures

<https://www.gamainc.com/product/rfr12v-4wp/>

Wiring Diagram

**Wire Connections:

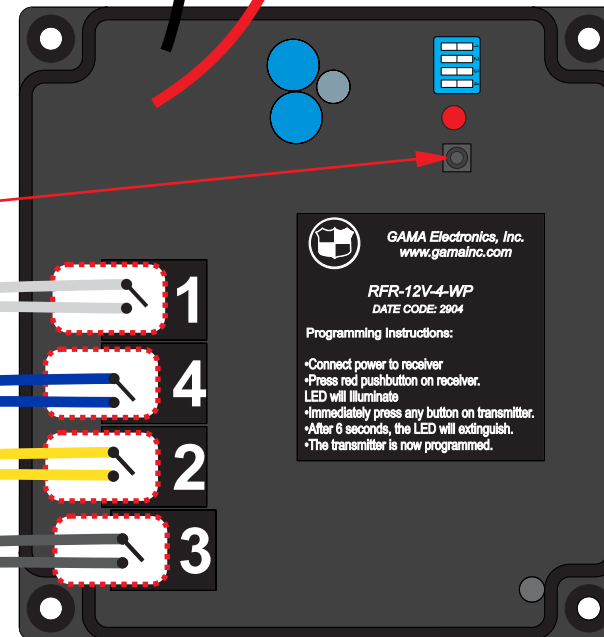
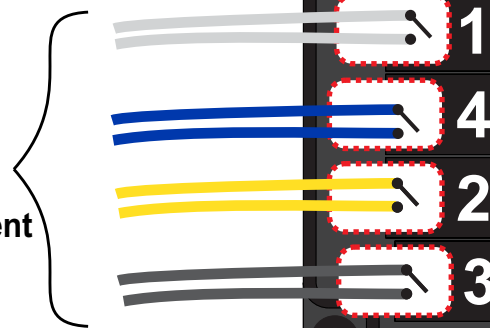
- White: Transmitter Button 1
- Blue: Transmitter Button 4
- Yellow: Transmitter Button 2
- Grey: Transmitter Button 3

4 Normally Open Outputs**

Outputs close when corresponding button is pressed on transmitter

Note: Isolated Output Contacts- Independent from the power source.

Program Switch



GAMA ELECTRONICS

P.O. Box 1488, Crystal Lake, IL 60039

Phone: 815-356-9600

Fax: 815-356-9603

Email: gama@gamainc.com

www.gamainc.com

Drawn By: KEG

Information contained herein is proprietary information of GAMA Electronics Inc. The dissemination use or duplication of this information, for any purpose other than that for which the information is provided, is prohibited except by express written permission.

All dimensions are in inches and have a +/- .015" tolerance unless otherwise specified.

Rev: A

Release Date:
08/06/18

Pg. 5 of 5

Third Angle Projection

