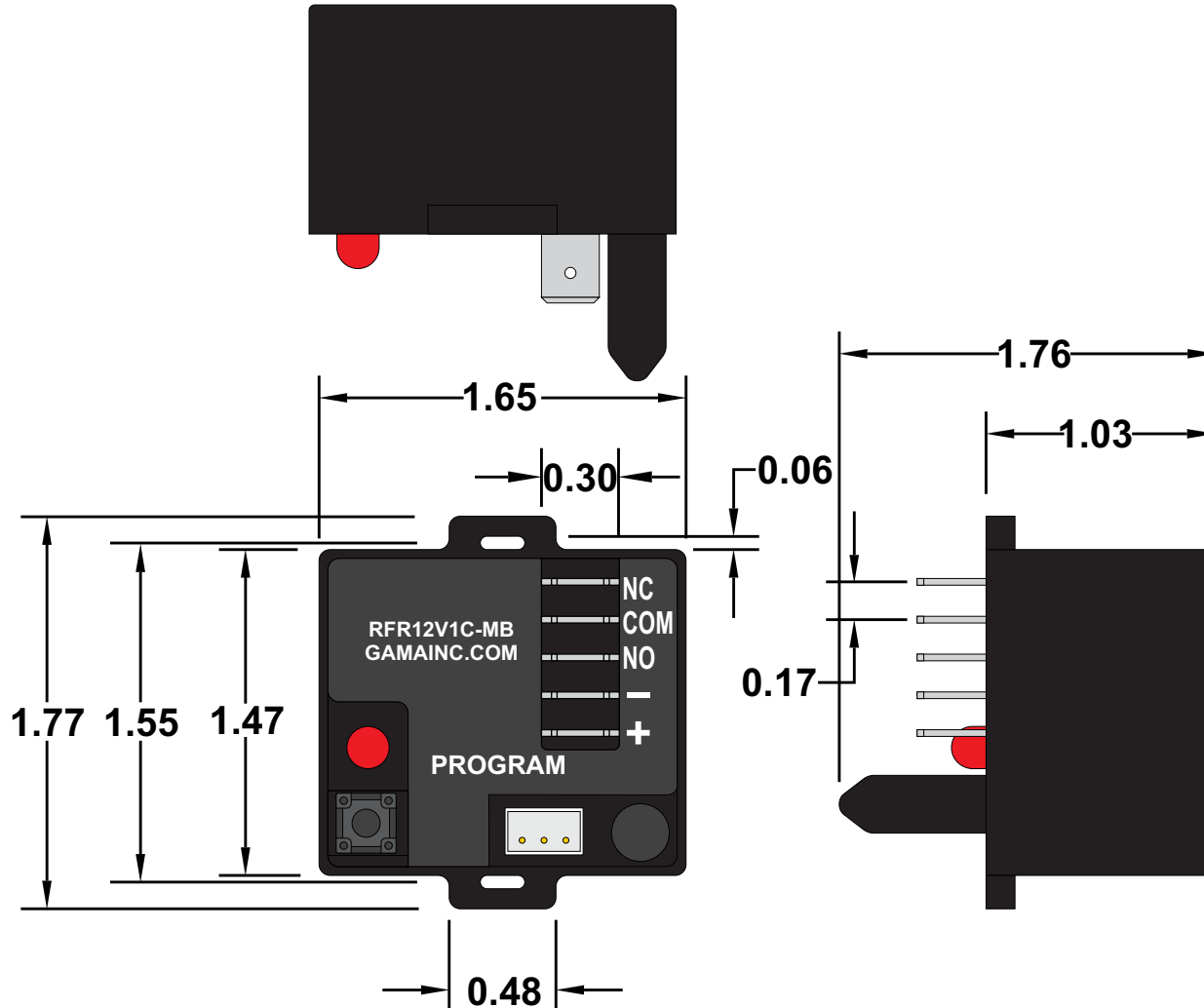


RFR12V1C-MB

Multiple Receiver RF Remote Single Pole,
Double Throw 12VDC Input

<https://www.gamainc.com/product/rfr12v1c-mb/>

RFR12V1C-MB Receiver Dimensions



Functionality:

- Powered by 12VDC
- Single Pole, Double Throw control.
- Dry Contacts
- One normally open relay contact and one normally closed relay contact.

GAMA ELECTRONICS

P.O. Box 1488, Crystal Lake, IL 60039

Phone: 815-356-9600

Fax: 815-356-9603

Email: gama@gamainc.com

www.gamainc.com

***Note: 12-Button transmitter
(KF340-12) sold separately***

Specifications

- Frequency: 340 MHz.
- Input voltage is 12VDC and is polarity protected.
- The output relays are rated at 10 amps @ 30VDC or 120/240VAC
- Operating temperature range – 0° F to 160° F.
- Transmit range is greater than 100 feet under normal operating conditions.

Drawn By: KEG

Information contained herein is proprietary information of GAMA Electronics Inc. The dissemination use or duplication of this information, for any purpose other than that for which the information is provided, is prohibited except by express written permission.

All dimensions are in inches and have a +/- .015" tolerance unless otherwise specified.

Rev: 0

Release Date:
08/06/18

Pg. 1 of 3

Third Angle Projection



RFR12V1C-MB

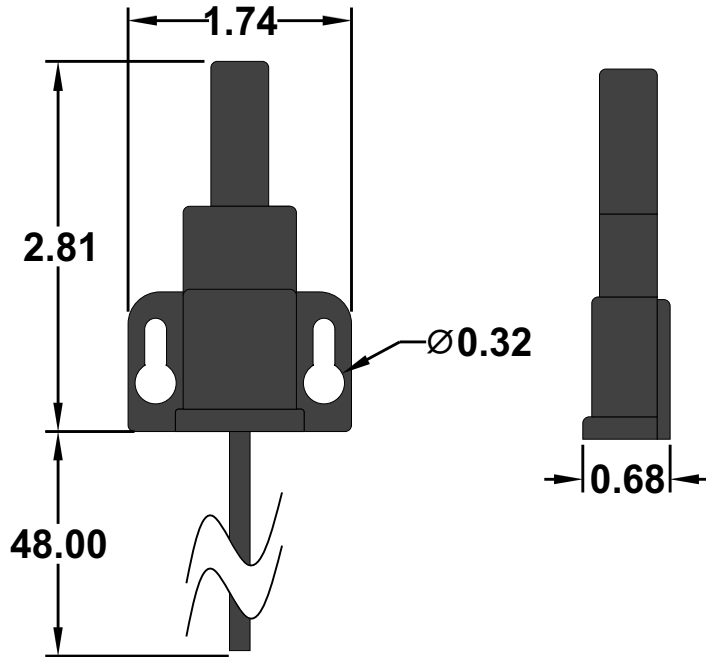
Multiple Receiver RF Remote Single Pole,
Double Throw 12VDC Input

<https://www.gamainc.com/product/rfr12v1c-mb/>

Long Range Antenna

<https://www.gamainc.com/product/lra-340/>

Included with long range option



GAMA ELECTRONICS

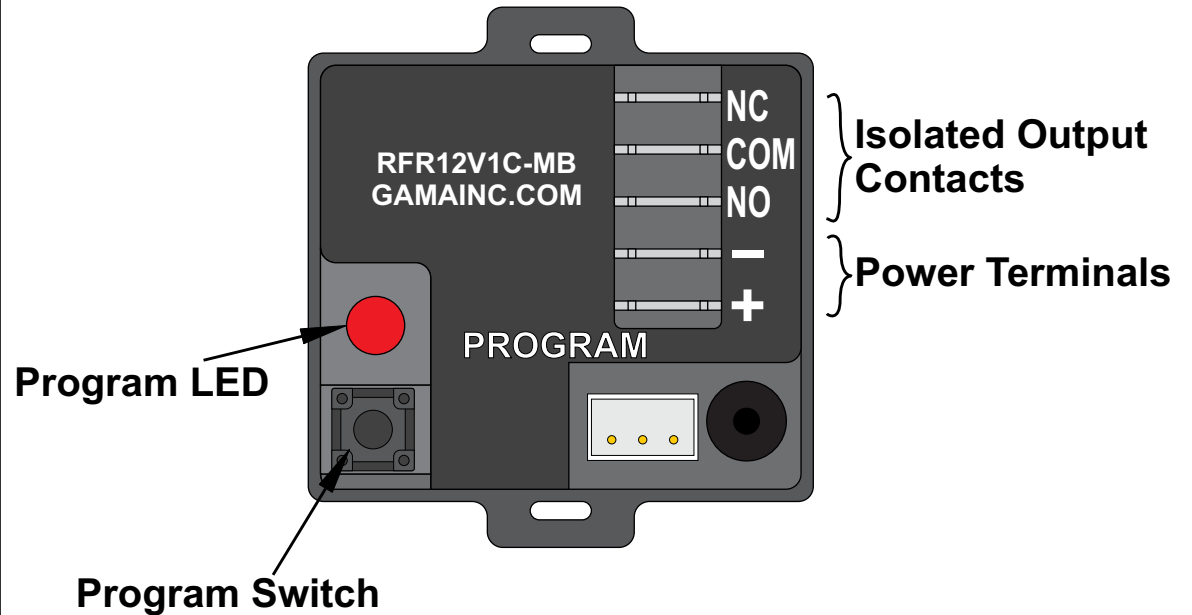
P.O. Box 1488, Crystal Lake, IL 60039

Phone: 815-356-9600

Fax: 815-356-9603

Email: gama@gamainc.com

www.gamainc.com



Accessories Sold Separately

- 12-Button Transmitter (KF340-12)
- Package of 6 replacement A23 12-Volt alkaline batteries (A23-6)
- 12V Wall Mount Power Supply (EPS120050)

Drawn By: KEG

Information contained herein is proprietary information of GAMA Electronics Inc. The dissemination use or duplication of this information, for any purpose other than that for which the information is provided, is prohibited except by express written permission.

All dimensions are in inches and have a +/- .015" tolerance unless otherwise specified.

Rev: 0

Release Date:
08/06/18

Pg. 2 of 3

Third Angle Projection



RFR12V1C-MB

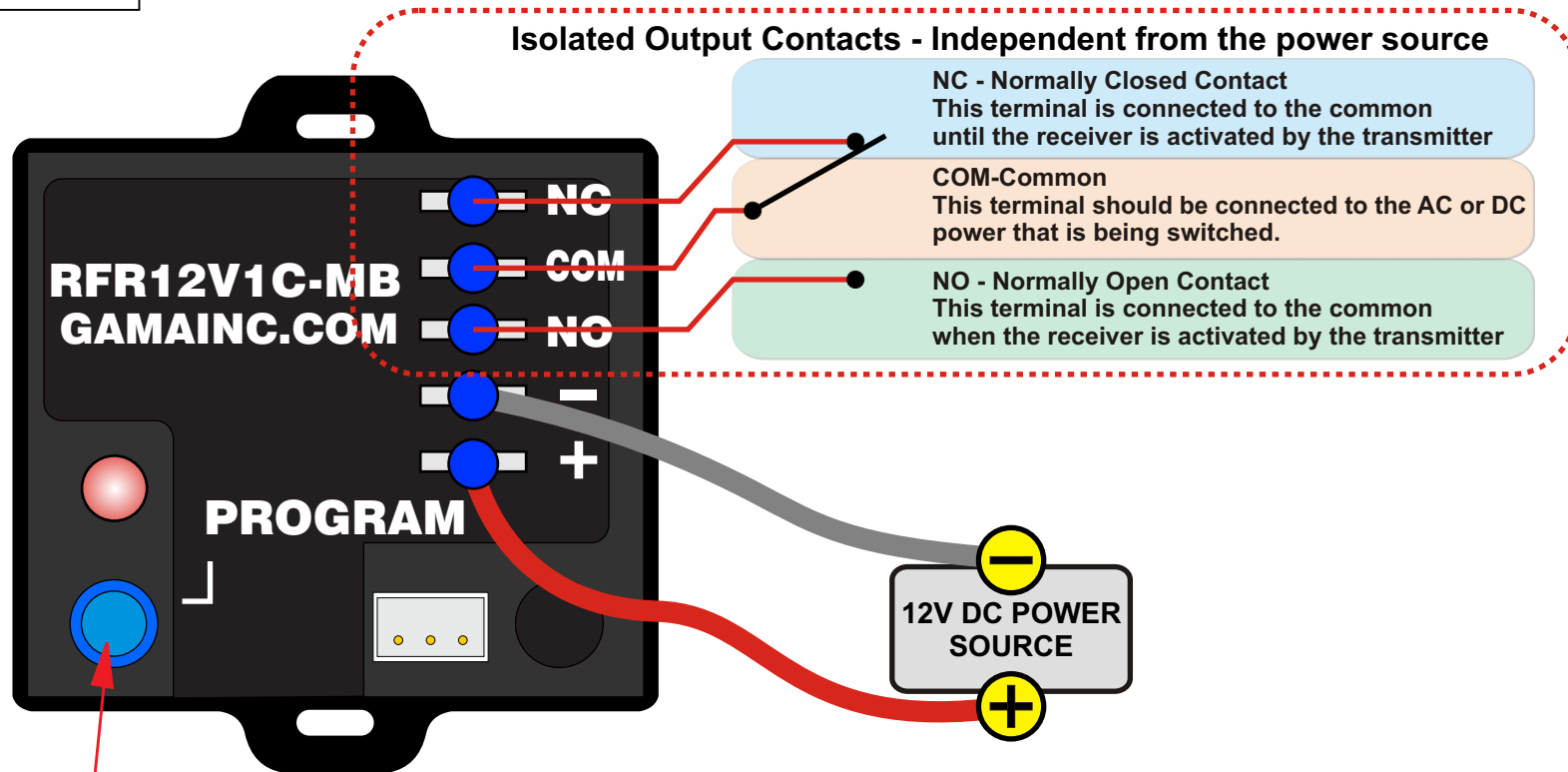
Multiple Receiver RF Remote Single Pole,
Double Throw 12VDC Input

<https://www.gamainc.com/product/rfr12v1c-mb/>

Wiring Diagram

GAMA ELECTRONICS

P.O. Box 1488, Crystal Lake, IL 60039
Phone: 815-356-9600
Fax: 815-356-9603
Email: gama@gamainc.com
www.gamainc.com



Program Switch

Drawn By: KEG

Information contained herein is proprietary information of GAMA Electronics Inc. The dissemination use or duplication of this information, for any purpose other than that for which the information is provided, is prohibited except by express written permission.

All dimensions are in inches and have a +/- .015" tolerance unless otherwise specified.

Rev: 0

Release Date:
08/06/18

Pg. 3 of 3

Third Angle Projection

