

RF12V-2PR-ASL

Waterproof RF Remote Control System, (2)
12VDC Polarity Reversing Motor Outputs

<https://www.gamainc.com/product/rf12v-2pr-asl/>

RF12V-2PR-ASL Receiver Dimensions

GAMA ELECTRONICS

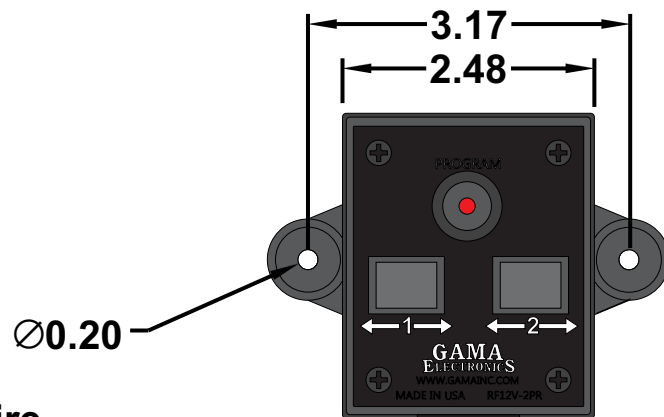
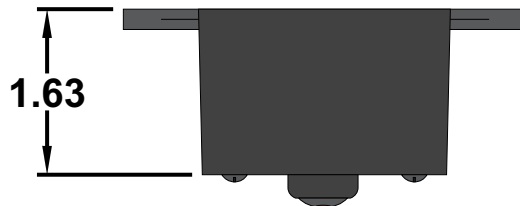
P.O. Box 1488, Crystal Lake, IL 60039

Phone: 815-356-9600

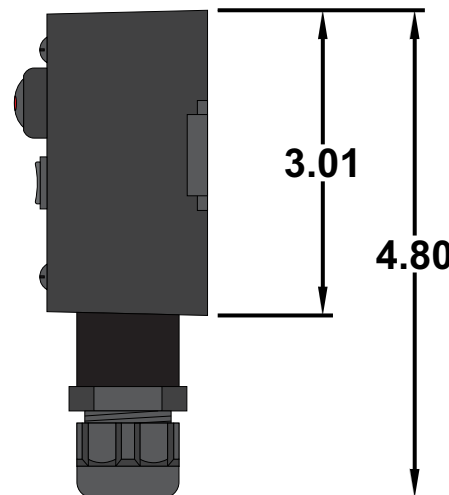
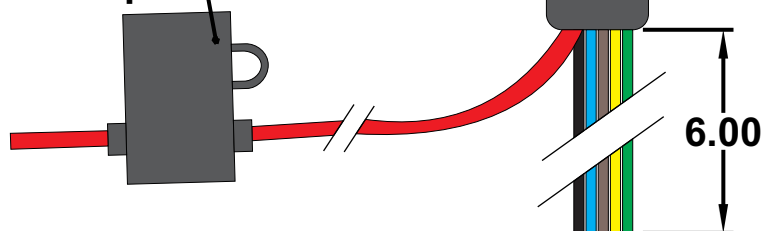
Fax: 815-356-9603

Email: gama@gamainc.com

www.gamainc.com



Red Wire
6", Fused
for
30 Amps



Specifications

- Frequency: 340 MHz.
- Input voltage: 12VDC with reverse polarity protection.
- The output relays are rated at 30A @12VDC.
- Operating temperature range: 0° F to 160° F.
- Transmit range is greater than 100 feet under normal operating conditions.
- Kit includes (1) 4-Button Waterproof Transmitter and (1) Receiver.
- Up to 30 keyfob transmitters can be used with each receiver.

Drawn By: KEG

Information contained herein is proprietary information of GAMA Electronics Inc. The dissemination use or duplication of this information, for any purpose other than that for which the information is provided, is prohibited except by express written permission.

All dimensions are in inches and have a +/- .015" tolerance unless otherwise specified.

Rev: 0

Pg. 1 of 2

Release Date:
05/28/20

Third Angle Projection



RF12V-2PR-ASL

Waterproof RF Remote Control System, (2)
12VDC Polarity Reversing Motor Outputs

<https://www.gamainc.com/product/rf12v-2pr-asl/>

Transmitter (KF340-4A-WP) Dimensions

www.gamainc.com/product/kf340-4a-wp/

GAMA ELECTRONICS

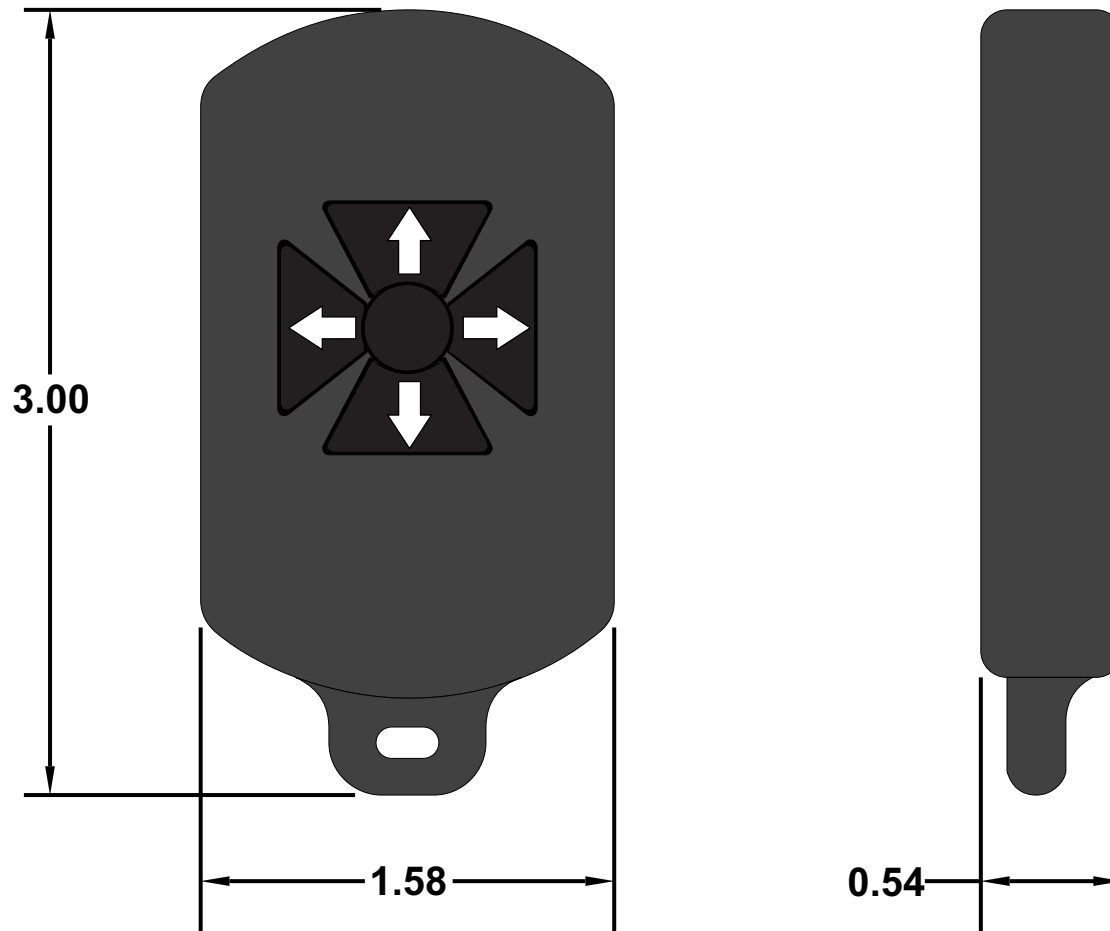
P.O. Box 1488, Crystal Lake, IL 60039

Phone: 815-356-9600

Fax: 815-356-9603

Email: gama@gamainc.com

www.gamainc.com



Accessories Sold Separately

- Extra 4-Button Transmitter ([KF340-4A-WP](#))
- Package of 6 A23 12V Alkaline Batteries ([A23-6](#))
- Clear Protective Transmitter Pouch ([ZLB-67](#))

Drawn By: KEG

Information contained herein is proprietary information of GAMA Electronics Inc. The dissemination use or duplication of this information, for any purpose other than that for which the information is provided, is prohibited except by express written permission.

All dimensions are in inches and have a +/- .015" tolerance unless otherwise specified.

Rev: 0

Pg. 2 of 2

Release Date:
05/28/20

Third Angle Projection

