

RF24V1C

RF Remote Single Pole, Double Throw Control

<https://www.gamainc.com/product/rf24v1c/>

RF24V1C Receiver Dimensions

Functionality:

- Powered by 24VDC
- Single Pole, Double Throw control.
- Dry Contacts
- One normally open relay contact and one normally closed relay contact.

GAMA ELECTRONICS

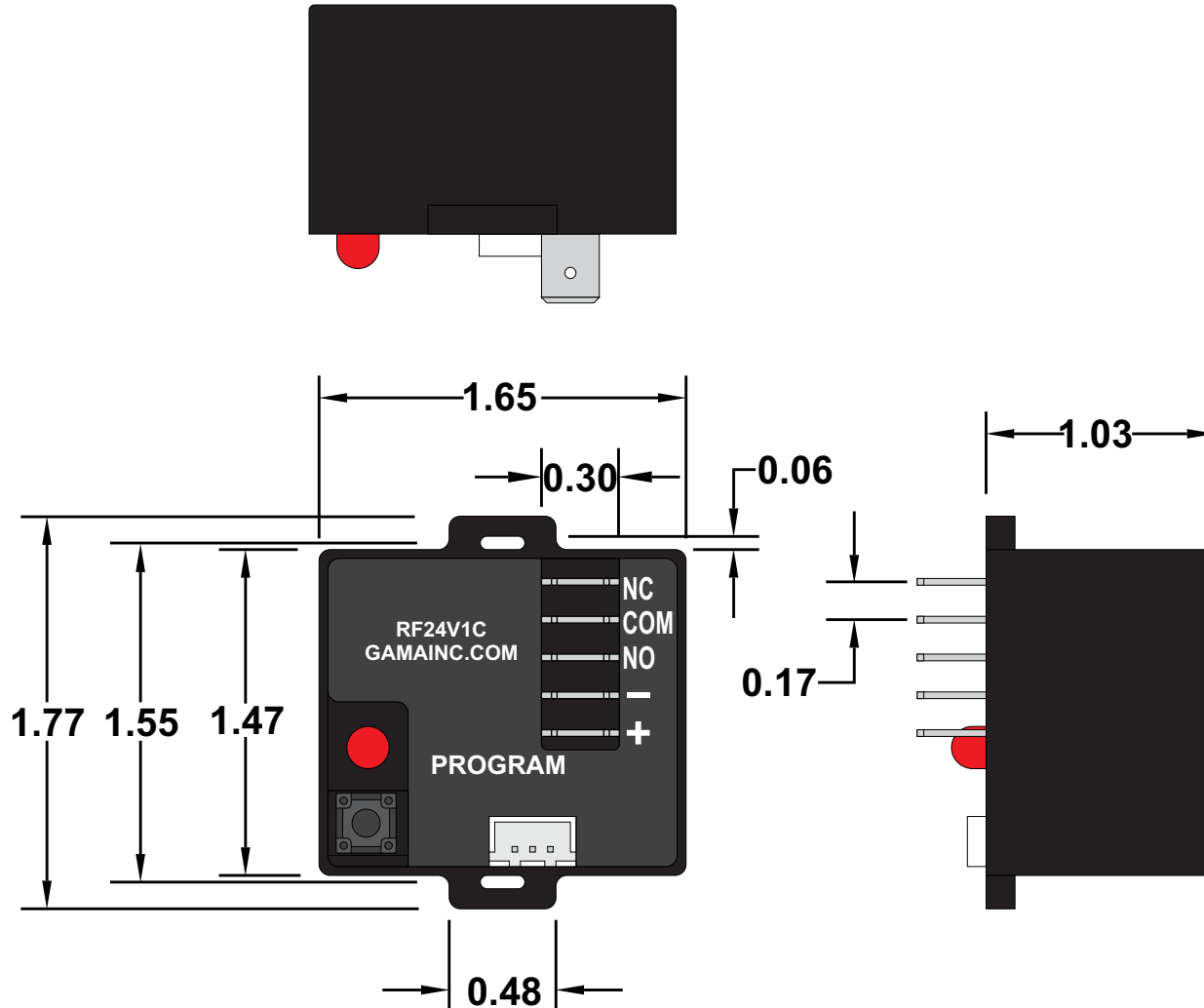
P.O. Box 1488, Crystal Lake, IL 60039

Phone: 815-365-9600

Fax: 815-356-9603

Email: gama@gamainc.com

www.gamainc.com



Specifications

- Frequency: 340 MHz.
- Input voltage is 24VDC and is polarity protected.
- The output relays are rated at 10 amps @ 30VDC or 120/240VAC.
- Operating temperature range – 0° F to 160° F.
- Transmit range is greater than 100 feet under normal operating conditions.
- Up to 12 keyfob transmitters can be used with each receiver.
- The waterproof transmitter (KF340-2WP) and the keyfob transmitter (KF340-2) both use one A23 12 Volt Battery. The rechargeable transmitter (GKF-WPTX-2) does not need a battery.

Drawn By: KEG

Information contained herein is proprietary information of GAMA Electronics Inc. The dissemination use or duplication of this information, for any purpose other than that for which the information is provided, is prohibited except by express written permission.

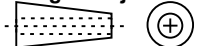
All dimensions are in inches and have a +/- .015" tolerance unless otherwise specified.

Rev: 0

Pg. 1 of 5

Release Date:
08/03/18

Third Angle Projection



RF24V1C

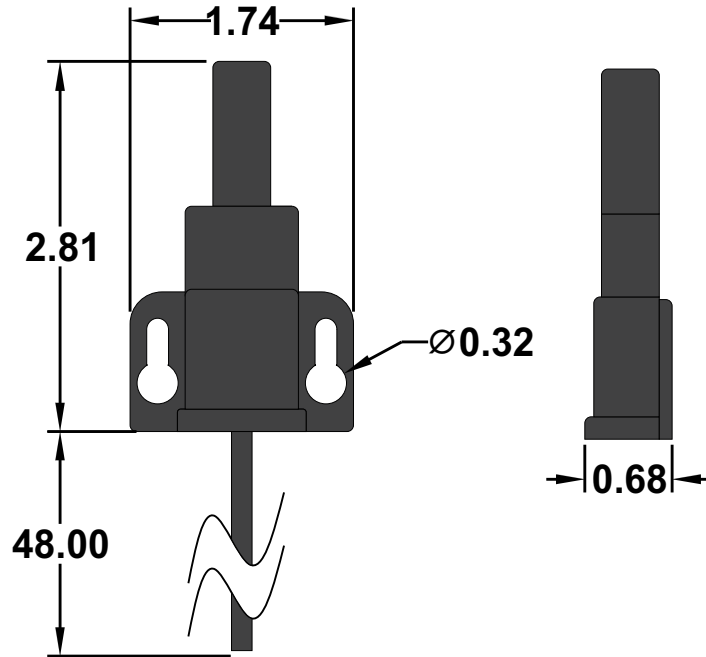
RF Remote Single Pole, Double Throw Control

<https://www.gamainc.com/product/rf24v1c/>

Long Range Antenna

<https://www.gamainc.com/product/lra-340/>

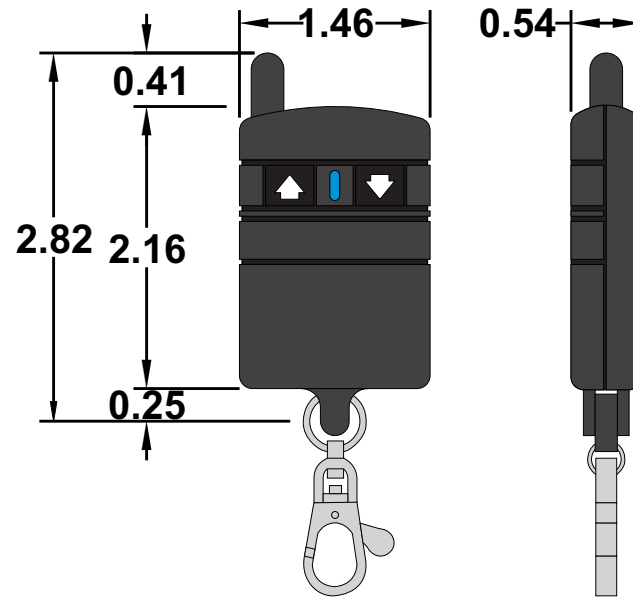
Included with long range option



2-Button Keyfob Transmitter

<https://www.gamainc.com/product/kf340-2/>

Included with standard transmitter option



GAMA ELECTRONICS

P.O. Box 1488, Crystal Lake, IL 60039

Phone: 815-365-9600

Fax: 815-356-9603

Email: gama@gamainc.com

www.gamainc.com

Accessories Sold Separately

- Extra 2-Button Waterproof Transmitter (KF340-2WP)
- Extra 2-Button Keyfob Transmitter (KF340-2)
- Package of 6 replacement A23 12V Alkaline Keyfob Batteries (A23-6)
- 12V to 24V Converter Module (DC2412)
- 12V Wall Mount Power Supply (EPS120050)
- Extra 2-Button Rechargeable Transmitter (GKF-WPTX-2)

Drawn By: KEG

Information contained herein is proprietary information of GAMA Electronics Inc. The dissemination use or duplication of this information, for any purpose other than that for which the information is provided, is prohibited except by express written permission.

All dimensions are in inches and have a +/- .015" tolerance unless otherwise specified.

Rev: 0

Release Date:
08/03/18

Pg. 2 of 5

Third Angle Projection



RF24V1C

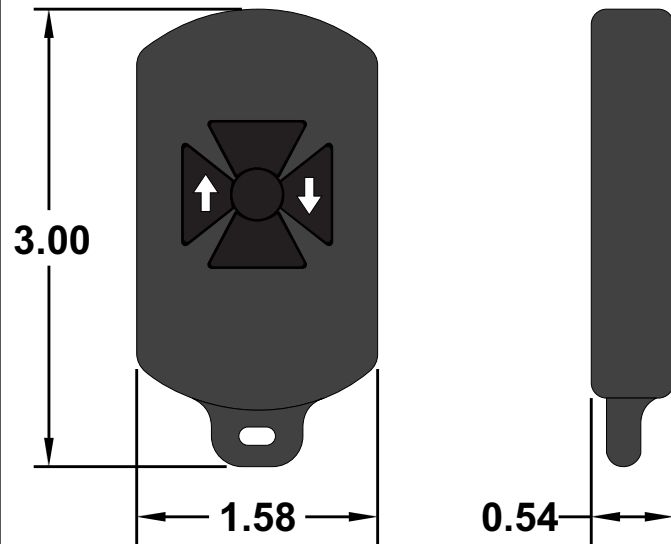
RF Remote Single Pole, Double Throw Control

<https://www.gamainc.com/product/rf24v1c/>

2-Button Waterproof Transmitter

<https://www.gamainc.com/product/kf340-2wp/>

Included with waterproof transmitter option



GAMA ELECTRONICS

P.O. Box 1488, Crystal Lake, IL 60039

Phone: 815-365-9600

Fax: 815-356-9603

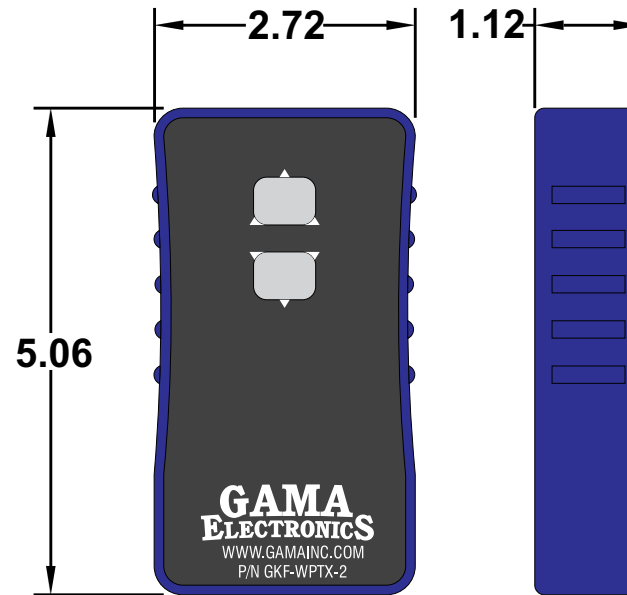
Email: gama@gamainc.com

www.gamainc.com

2-Button Rechargeable Transmitter

<https://www.gamainc.com/product/gkf-wptx-2/>

Included with rechargeable transmitter option



Drawn By: KEG

Information contained herein is proprietary information of GAMA Electronics Inc. The dissemination use or duplication of this information, for any purpose other than that for which the information is provided, is prohibited except by express written permission.

All dimensions are in inches and have a +/- .015" tolerance unless otherwise specified.

Rev: 0

Release Date:
08/03/18

Pg. 3 of 5

Third Angle Projection



RF24V1C

RF Remote Single Pole, Double Throw Control

<https://www.gamainc.com/product/rf24v1c/>

GAMA ELECTRONICS

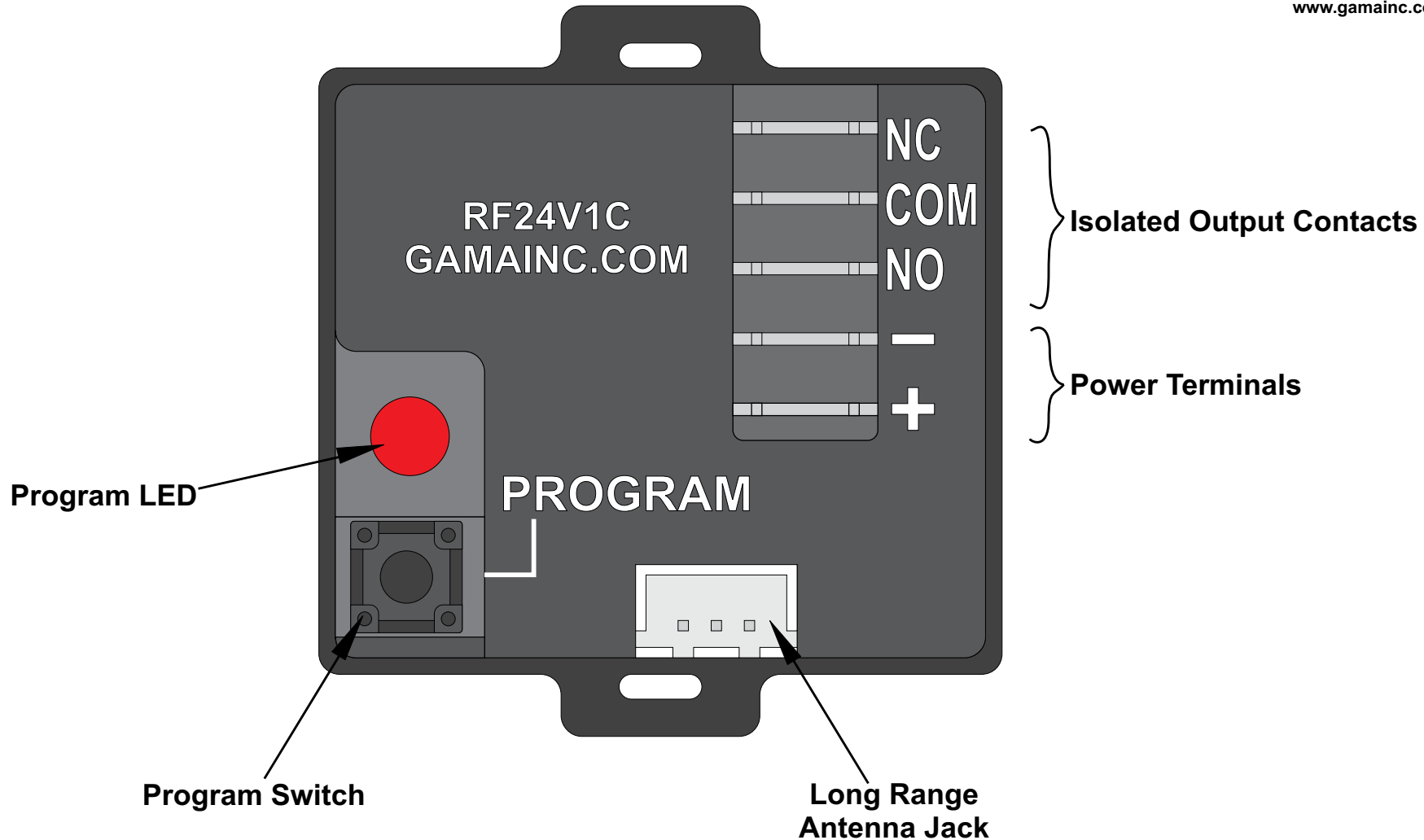
P.O. Box 1488, Crystal Lake, IL 60039

Phone: 815-365-9600

Fax: 815-356-9603

Email: gama@gamainc.com

www.gamainc.com



Drawn By: KEG

Information contained herein is proprietary information of GAMA Electronics Inc. The dissemination use or duplication of this information, for any purpose other than that for which the information is provided, is prohibited except by express written permission.

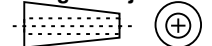
All dimensions are in inches and have a +/- .015" tolerance unless otherwise specified.

Rev: 0

Release Date:
08/03/18

Pg. 4 of 5

Third Angle Projection



RF24V1C

RF Remote Single Pole, Double Throw Control

<https://www.gamainc.com/product/rf24v1c/>

Wiring Diagram

GAMA ELECTRONICS

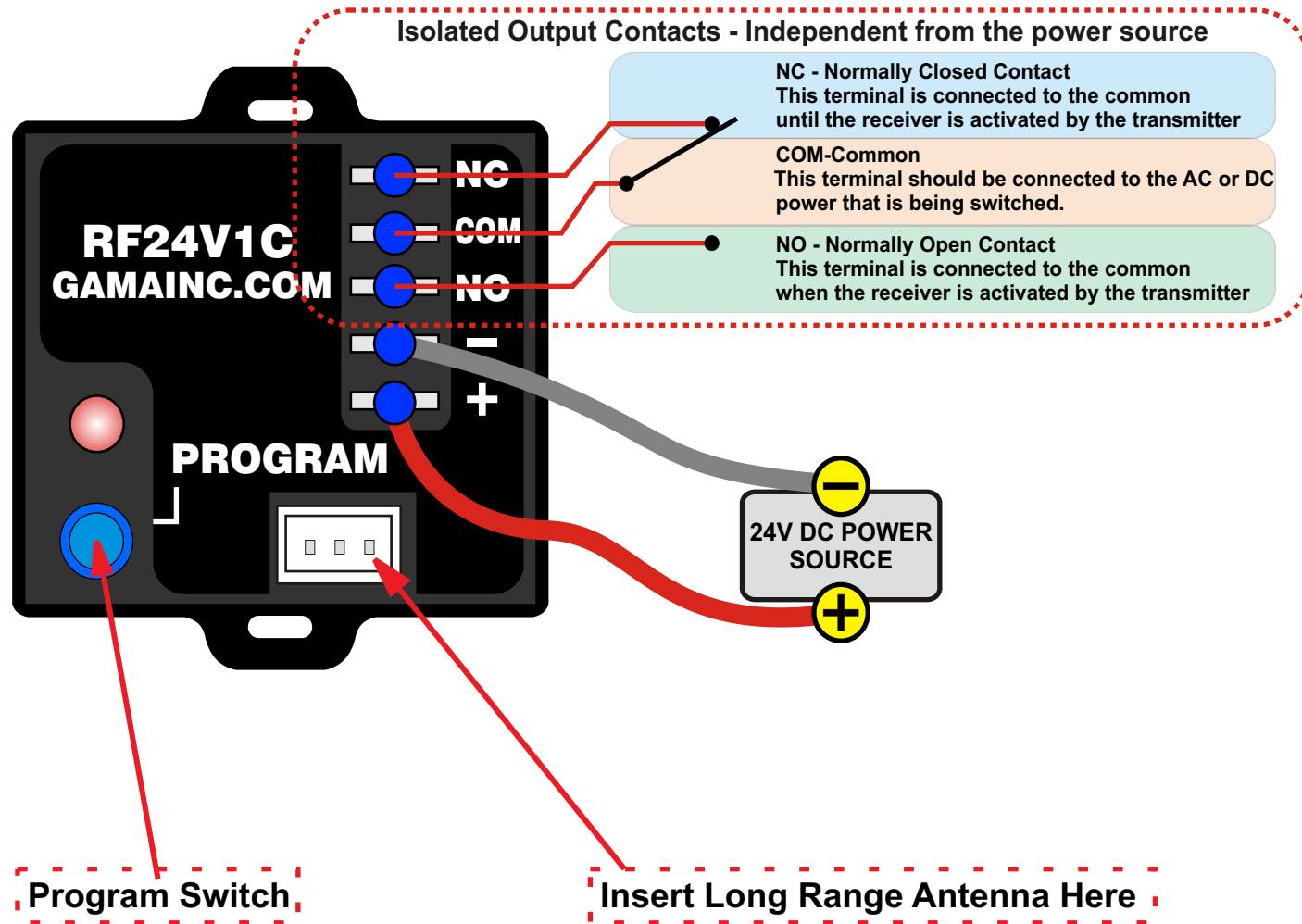
P.O. Box 1488, Crystal Lake, IL 60039

Phone: 815-365-9600

Fax: 815-356-9603

Email: gama@gamainc.com

www.gamainc.com



Drawn By: KEG

Information contained herein is proprietary information of GAMA Electronics Inc. The dissemination use or duplication of this information, for any purpose other than that for which the information is provided, is prohibited except by express written permission.

All dimensions are in inches and have a +/- .015" tolerance unless otherwise specified.

Rev: 0

Release Date:
08/03/18

Pg. 5 of 5

Third Angle Projection

