

# RFR24VPRWP

RF Remote Control System, Reverse Polarity 24VDC  
Motor Control with Auxillary Contact Closure

<https://www.gamainc.com/product/rfr12vprwp-rfr24vprwp/>

## RFR24V-PRWP Receiver Dimensions

# GAMA ELECTRONICS

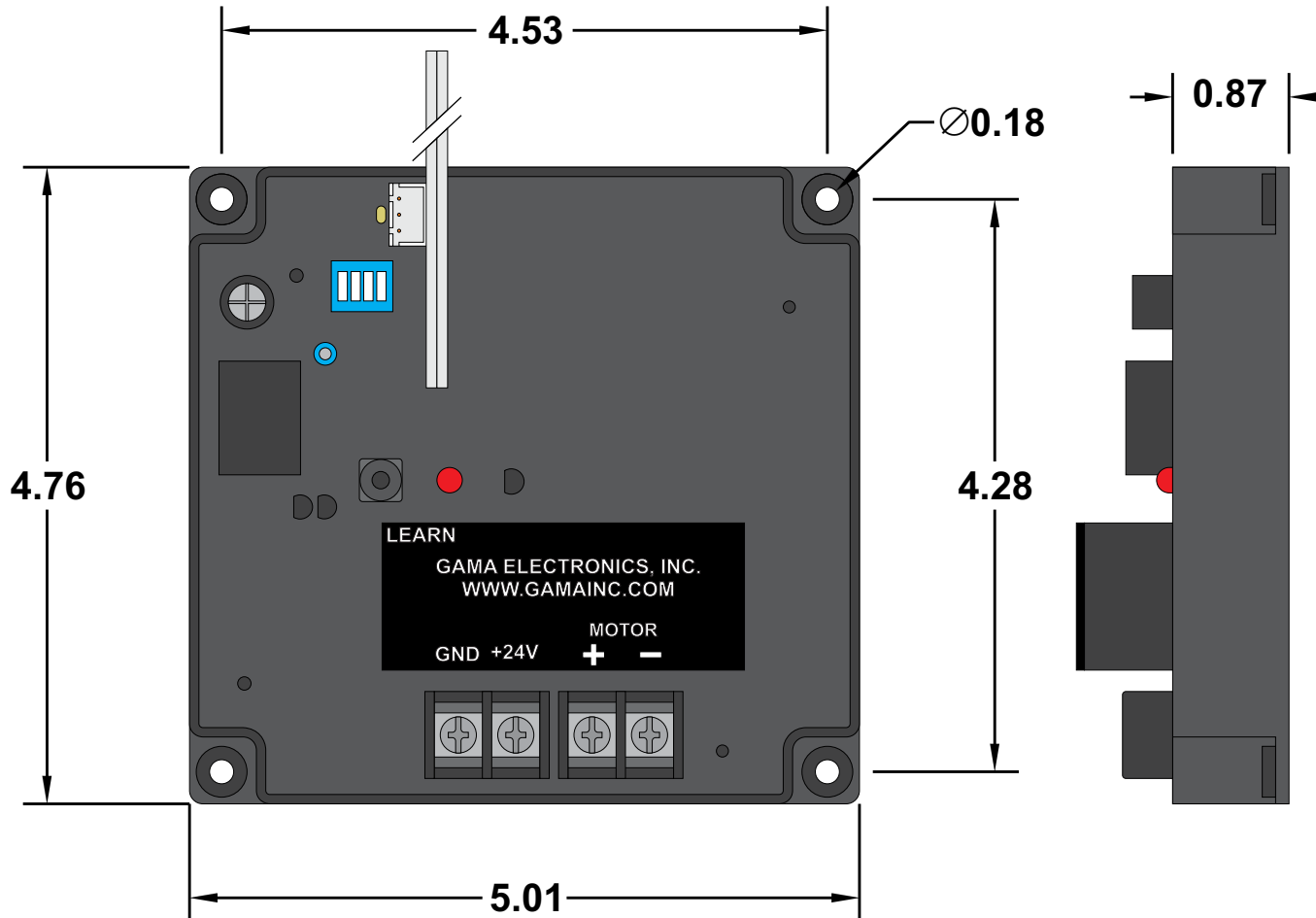
P.O. Box 1488, Crystal Lake, IL 60039

Phone: 815-356-9600

Fax: 815-356-9603

Email: [gama@gamainc.com](mailto:gama@gamainc.com)

[www.gamainc.com](http://www.gamainc.com)



## Specifications

- Frequency: 340 MHz.
- Input voltage: 24VDC with reverse polarity protection
- The output relays are rated at 30A @24VDC
- Operating temperature range: 0° F to 160° F.
- Transmit range is greater than 100 feet under normal operating conditions.
- Up to 30 keyfob transmitters can be used with each receiver.

Drawn By: KEG

Information contained herein is proprietary information of GAMA Electronics Inc. The dissemination use or duplication of this information, for any purpose other than that for which the information is provided, is prohibited except by express written permission.

All dimensions are in inches and have a +/- .015" tolerance unless otherwise specified.

Rev: A

Pg. 1 of 5

Release Date:  
08/06/18

Third Angle Projection



# RFR24VPRWP

RF Remote Control System, Reverse Polarity 24VDC  
Motor Control with Auxillary Contact Closure

<https://www.gamainc.com/product/rfr12vprwp-rfr24vprwp/>

# GAMA ELECTRONICS

P.O. Box 1488, Crystal Lake, IL 60039

Phone: 815-356-9600

Fax: 815-356-9603

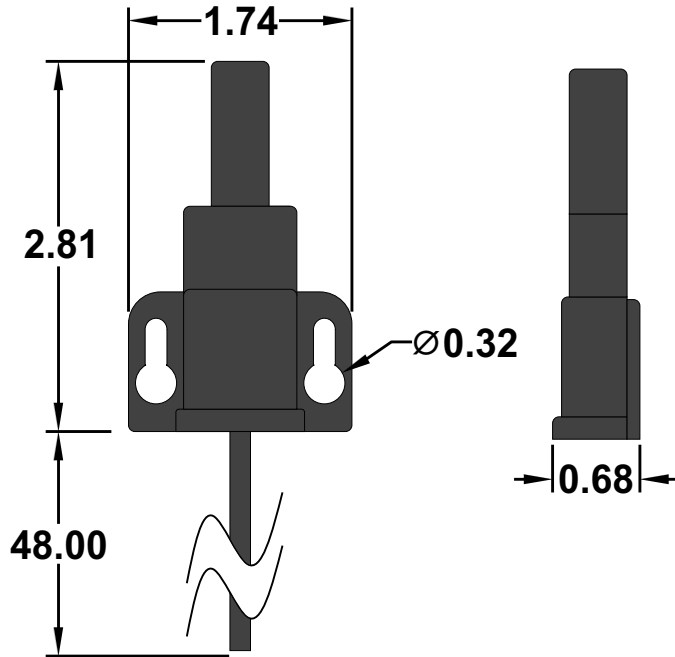
Email: [gama@gamainc.com](mailto:gama@gamainc.com)

[www.gamainc.com](http://www.gamainc.com)

## Long Range Antenna

[www.gamainc.com/product/lra-340/](http://www.gamainc.com/product/lra-340/)

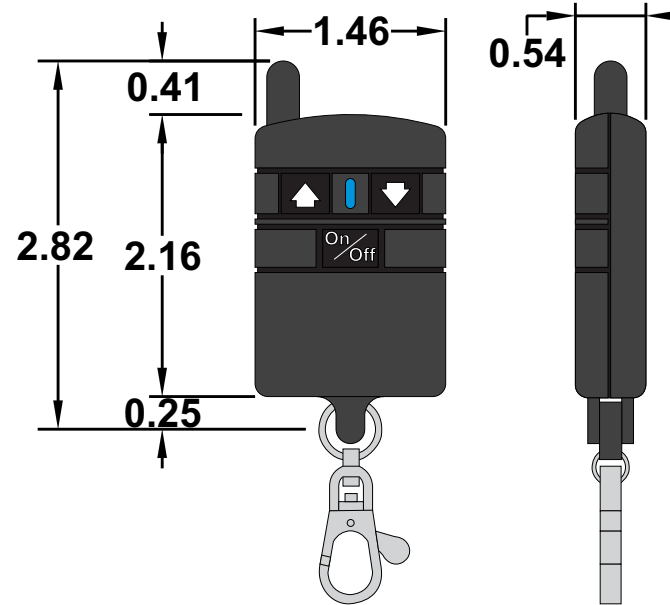
Included with long range option



## 3-Button Keyfob Transmitter

[www.gamainc.com/product/p44066/](http://www.gamainc.com/product/p44066/)

Included with standard transmitter option



## Accessories Sold Separately

- Extra 3-Button Keyfob Transmitters ([P44066](#))
- Extra 3-Button Waterproof Transmitters ([KF340-3WP](#))
- Extra 3-Button Rechargeable Transmitters ([GKF-WPTX-3](#))
- Package of 6 A23 12V Alkaline Keyfob Batteries ([A23-6](#))
- Extra Long Range Antenna ([LRA-340](#))
- Extra Waterproof Enclosure ([GWE-663-812](#))
- Clear Protective Transmitter Pouch ([ZLB-67](#))

Drawn By: KEG

Information contained herein is proprietary information of GAMA Electronics Inc. The dissemination use or duplication of this information, for any purpose other than that for which the information is provided, is prohibited except by express written permission.

All dimensions are in inches and have a +/- .015" tolerance unless otherwise specified.

Rev: A

Pg. 2 of 5

Release Date:  
08/06/18

Third Angle Projection



# RFR24VPRWP

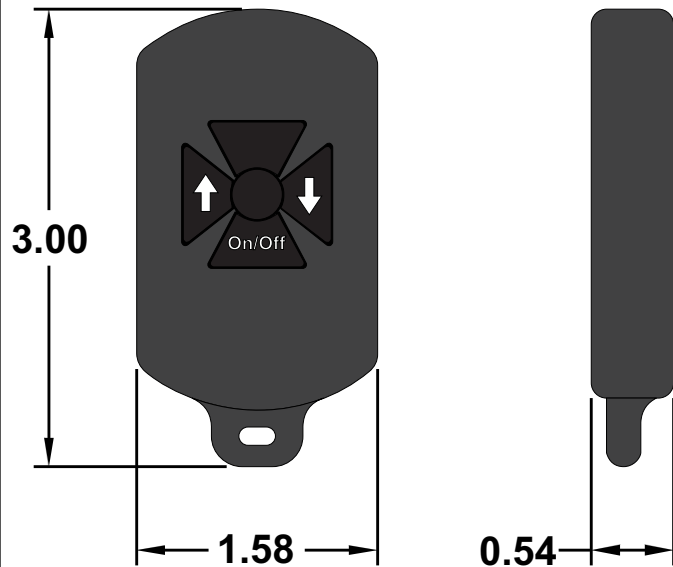
RF Remote Control System, Reverse Polarity 24VDC  
Motor Control with Auxillary Contact Closure

<https://www.gamainc.com/product/rfr12vprwp-rfr24vprwp/>

## 3-Button Waterproof Transmitter

[www.gamainc.com/product/kf340-3wp](http://www.gamainc.com/product/kf340-3wp)

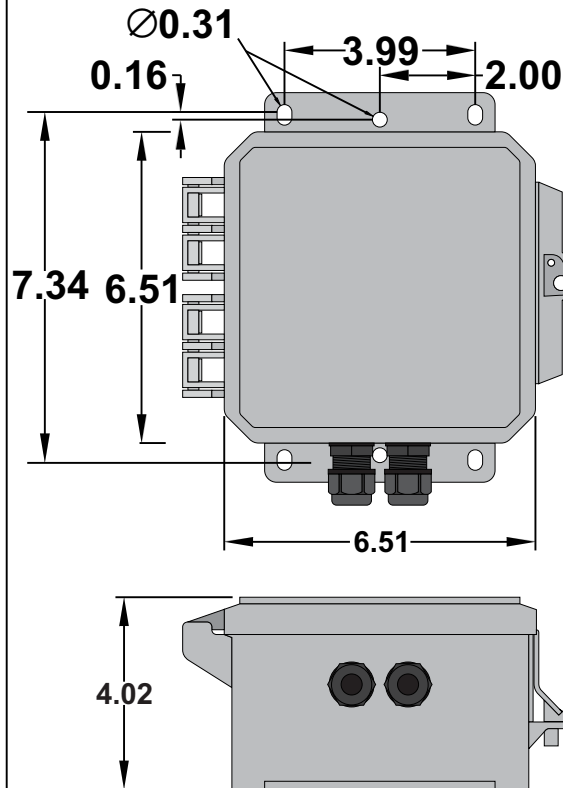
Included with waterproof transmitter  
option



## Waterproof Enclosure

[www.gamainc.com/product/gwe-663-812/](http://www.gamainc.com/product/gwe-663-812/)

Included with waterproof enclosure option



# GAMA ELECTRONICS

P.O. Box 1488, Crystal Lake, IL 60039

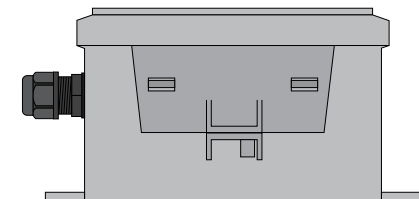
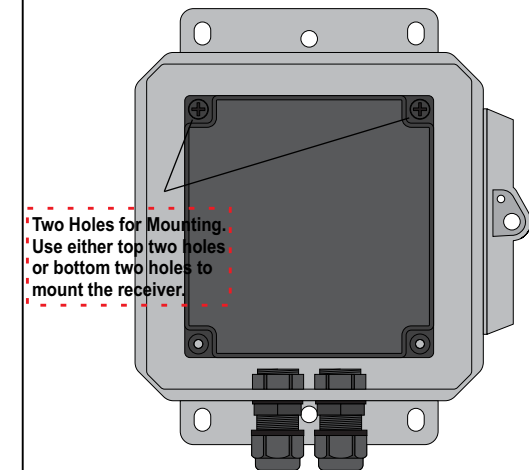
Phone: 815-356-9600

Fax: 815-356-9603

Email: [gama@gamainc.com](mailto:gama@gamainc.com)

[www.gamainc.com](http://www.gamainc.com)

## Interior View



Drawn By: KEG

Information contained herein is proprietary information of GAMA Electronics Inc. The dissemination use or duplication of this information, for any purpose other than that for which the information is provided, is prohibited except by express written permission.

All dimensions are in inches and have a +/- .015" tolerance unless otherwise specified.

Rev: A

Release Date:  
08/06/18

Pg. 3 of 5

Third Angle Projection



# RFR24VPRWP

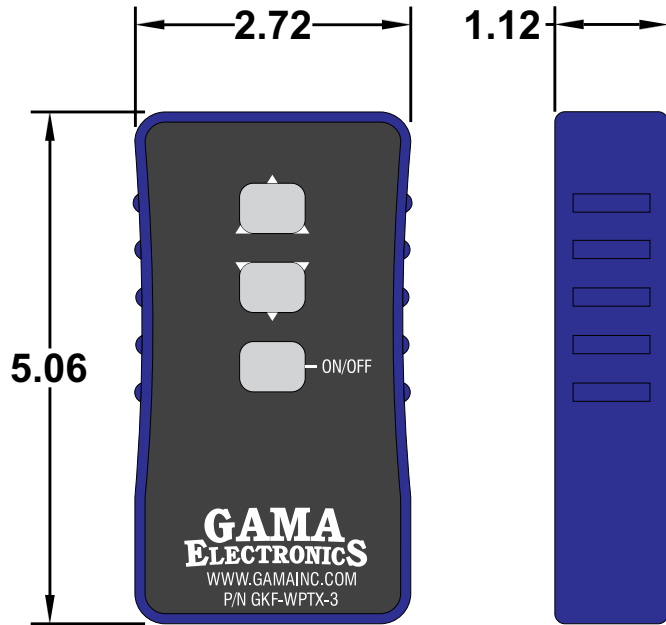
RF Remote Control System, Reverse Polarity 24VDC  
Motor Control with Auxillary Contact Closure

<https://www.gamainc.com/product/rfr12vprwp-rfr24vprwp/>

3-Button Rechargeable Transmitter

[www.gamainc.com/product/gkf-wptx-3](http://www.gamainc.com/product/gkf-wptx-3)

Included with rechargeable transmitter  
option



# GAMA ELECTRONICS

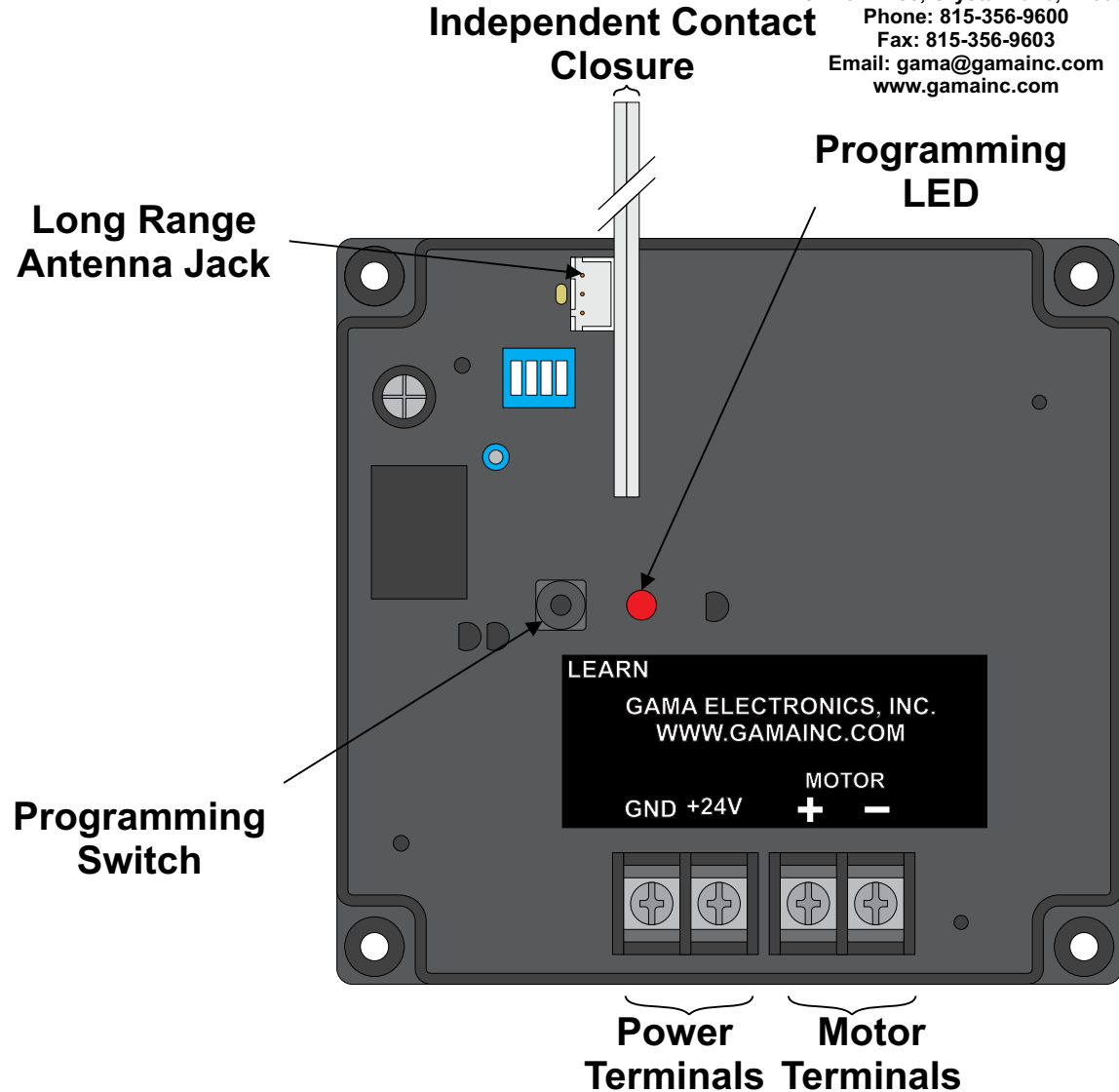
P.O. Box 1488, Crystal Lake, IL 60039

Phone: 815-356-9600

Fax: 815-356-9603

Email: [gama@gamainc.com](mailto:gama@gamainc.com)

[www.gamainc.com](http://www.gamainc.com)



Drawn By: KEG

Information contained herein is proprietary information of GAMA Electronics Inc. The dissemination use or duplication of this information, for any purpose other than that for which the information is provided, is prohibited except by express written permission.

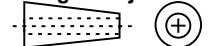
All dimensions are in inches and have a +/- .015" tolerance unless otherwise specified.

Rev: A

Release Date:  
08/06/18

Pg. 4 of 5

Third Angle Projection



# RFR24VPRWP

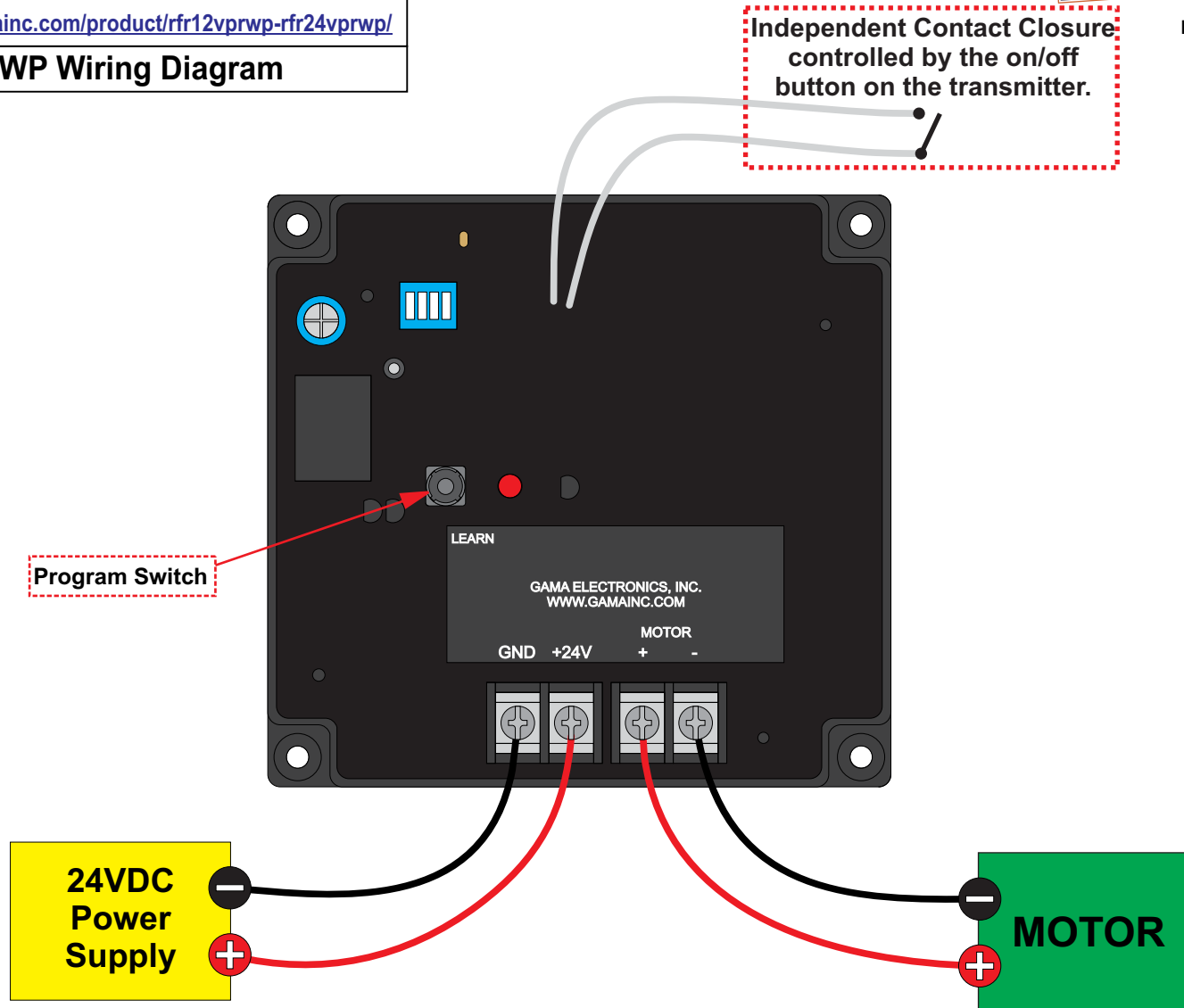
RF Remote Control System, Reverse Polarity 24VDC  
Motor Control with Auxillary Contact Closure

<https://www.gamainc.com/product/rfr12vprwp-rfr24vprwp/>

## RFR24V-PRWP Wiring Diagram

# GAMA ELECTRONICS

P.O. Box 1488, Crystal Lake, IL 60039  
Phone: 815-356-9600  
Fax: 815-356-9603  
Email: [gama@gamainc.com](mailto:gama@gamainc.com)  
[www.gamainc.com](http://www.gamainc.com)



Drawn By: KEG

Information contained herein is proprietary information of GAMA Electronics Inc. The dissemination use or duplication of this information, for any purpose other than that for which the information is provided, is prohibited except by express written permission.

All dimensions are in inches and have a +/- .015" tolerance unless otherwise specified.

Rev: A

Release Date:  
08/06/18

Pg. 5 of 5

Third Angle Projection

