

T-SC-12V

Polarity Reversing Remote Control
with Speed Control

<http://www.gamainc.com/product/t-sc-12v/>

GAMA ELECTRONICS

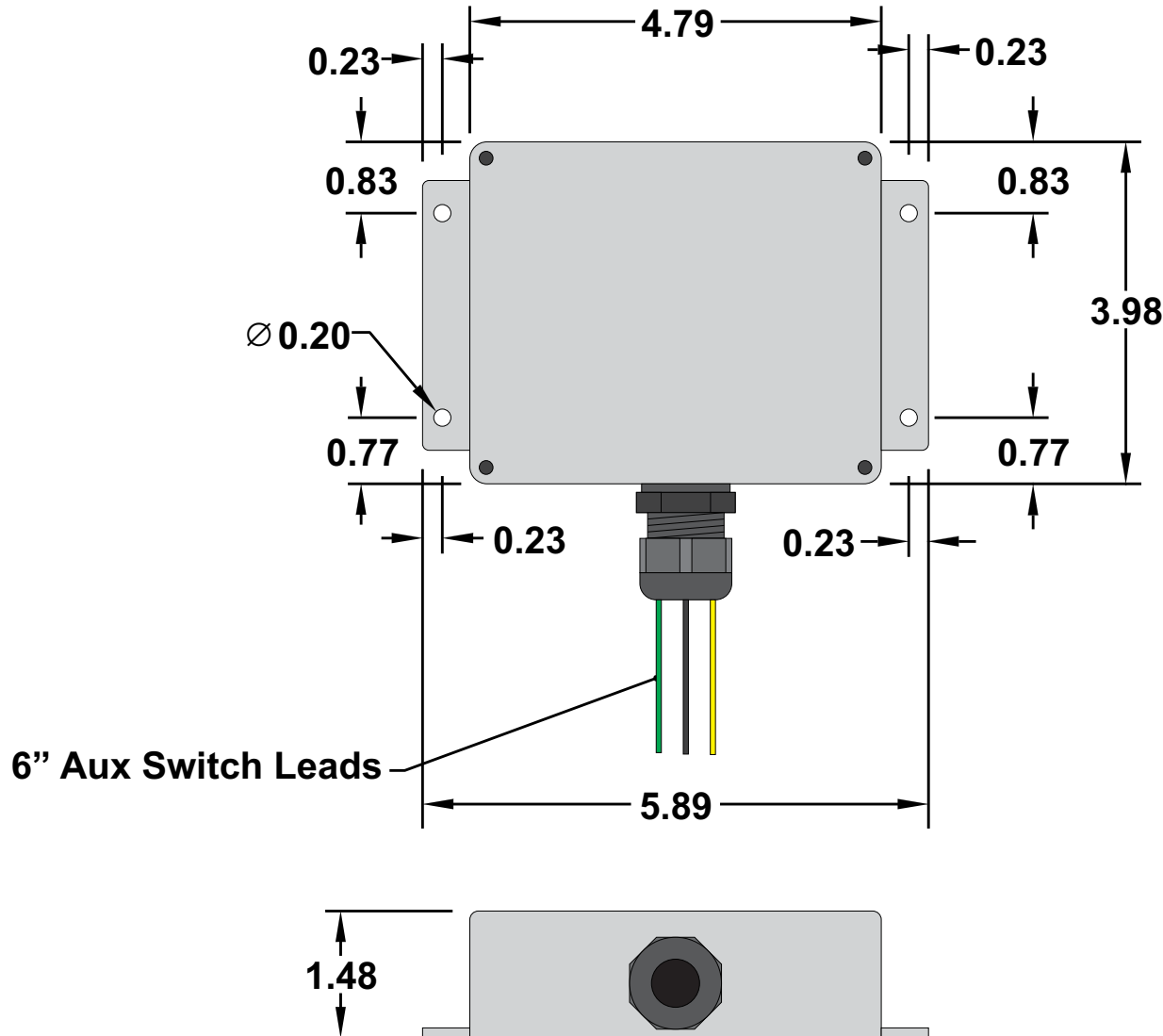
P.O. Box 1488, Crystal Lake, IL 60039

Phone: 815-365-9600

Fax: 815-356-9603

Email: gama@gamainc.com

www.gamainc.com



Specifications

- Frequency: 340 MHz
- Input voltage: 12VDC with reverse polarity protection.
- The output relays are rated at 40A @12VDC.
- Operating temperature range: 0°F to 160°F.
- Transmit range is 500 feet under normal operating conditions.
- Up to 12 keyfob transmitters can be used with each receiver.

Drawn By: KEG

Information contained herein is proprietary information of GAMA Electronics Inc. The dissemination use or duplication of this information, for any purpose other than that for which the information is provided, is prohibited except by express written permission.

All dimensions are in inches and have a +/- .015" tolerance unless otherwise specified.

Rev: A

Pg. 1 of 3

Release Date:
07/27/18

Third Angle Projection



T-SC-12V

Polarity Reversing Remote Control
with Speed Control

<http://www.gamainc.com/product/t-sc-12v/>

Long Range Antenna

<http://www.gamainc.com/product/lra-340>

Speed Control Transmitter

<http://www.gamainc.com/product/t-sc-12v-wpt>

GAMA ELECTRONICS

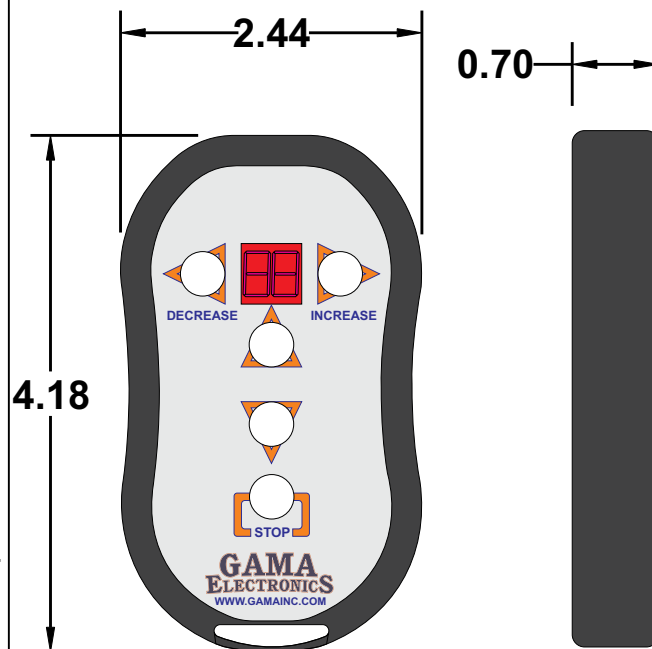
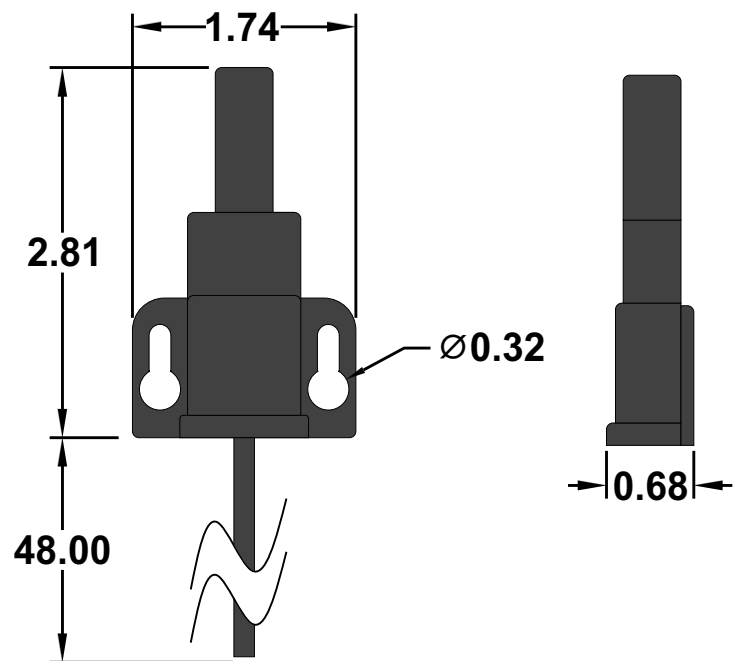
P.O. Box 1488, Crystal Lake, IL 60039

Phone: 815-365-9600

Fax: 815-356-9603

Email: gama@gamainc.com

www.gamainc.com



Accessories Sold Separately

- Extra Speed Control Waterproof Transmitters (T-SC-12V-WPT)
- Additional Long Range Antenna (LRA340)
- Package of 6 A23 12V Alkaline Batteries (A23-6)

Drawn By: KEG

Information contained herein is proprietary information of GAMA Electronics Inc. The dissemination use or duplication of this information, for any purpose other than that for which the information is provided, is prohibited except by express written permission.

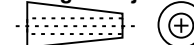
All dimensions are in inches and have a +/- .015" tolerance unless otherwise specified.

Rev: A

Pg. 2 of 3

Release Date:
07/27/18

Third Angle Projection



T-SC-12V

Polarity Reversing Remote Control
with Speed Control

<http://www.gamainc.com/product/t-sc-12v/>

Wiring Diagram

GAMA ELECTRONICS

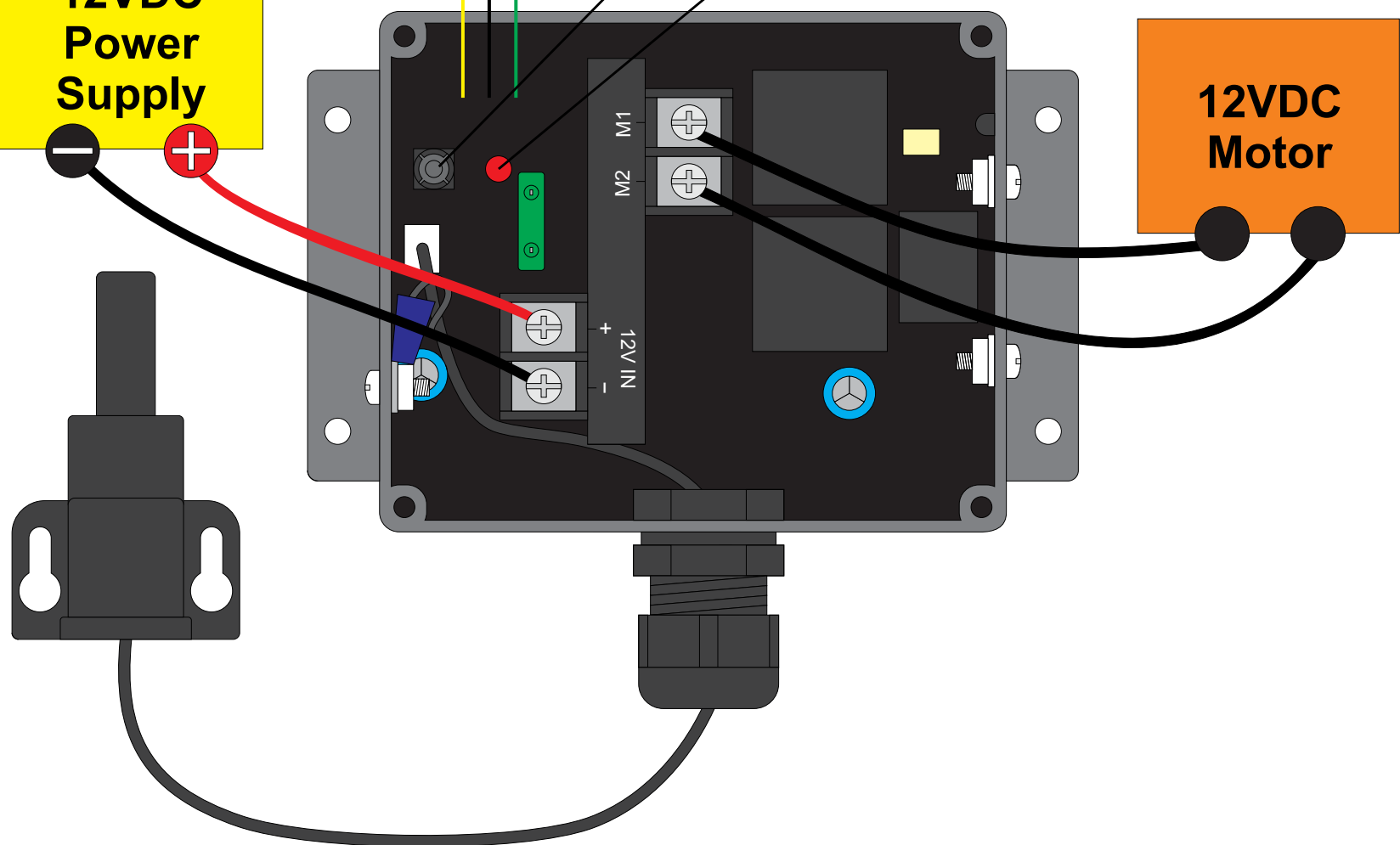
P.O. Box 1488, Crystal Lake, IL 60039
Phone: 815-365-9600
Fax: 815-356-9603
Email: gama@gamainc.com
www.gamainc.com

12VDC
Power
Supply

Auxiliary Switch
Leads

Program Switch
Program LED

12VDC
Motor



Drawn By: KEG
Information contained herein is proprietary information of GAMA Electronics Inc. The dissemination use or duplication of this information, for any purpose other than that for which the information is provided, is prohibited except by express written permission.
All dimensions are in inches and have a +/- .015" tolerance unless otherwise specified.

Rev: A
Release Date:
07/27/18

Pg. 3 of 3
Third Angle Projection