

WP66-01

Waterproof Mini Rocker Switch, 10A
On-Off

<https://www.gamainc.com/product/wp66-01/>

GAMA ELECTRONICS

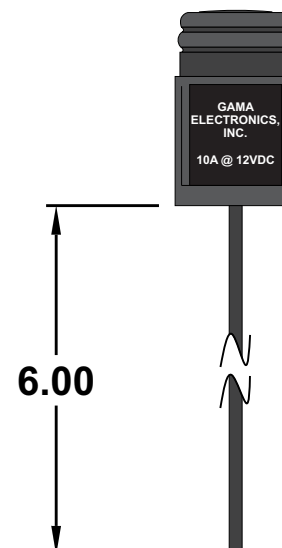
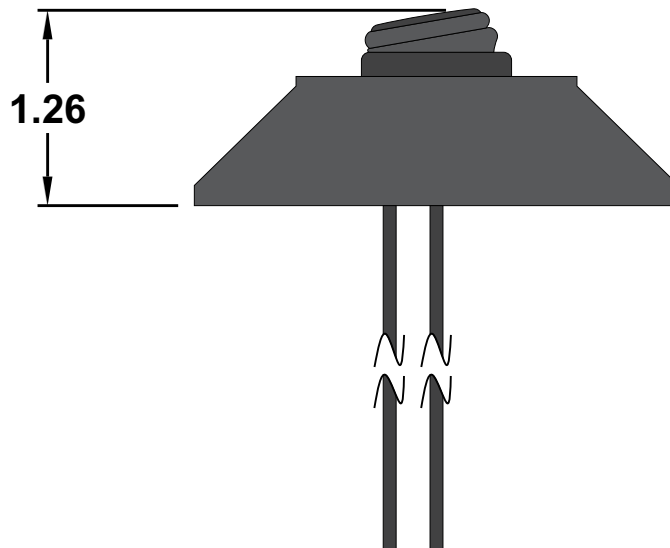
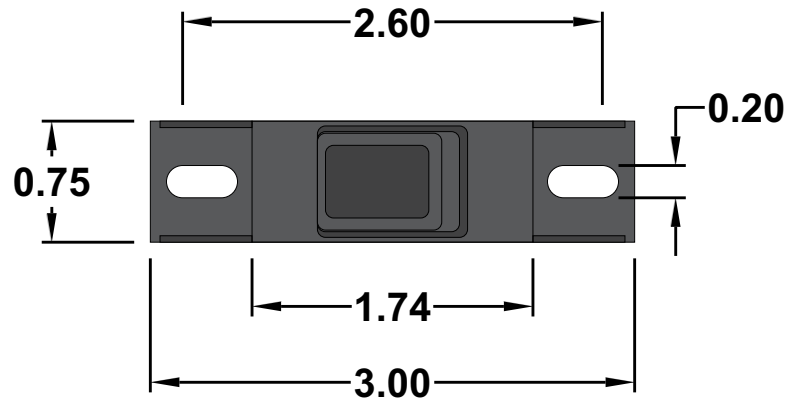
P.O. Box 1488, Crystal Lake, IL 60039

Phone: 815-356-9600

Fax: 815-356-9603

Email: gama@gamainc.com

www.gamainc.com



Specifications

- SPST Off-On
- Rated at 16A 125VAC, 10A 250VAC, 10A 12VDC.
- Waterproof to IP67
- 6 inch wire leads
- UL, CSA & CE Approved

Drawn By: KEG

Information contained herein is proprietary information of GAMA Electronics Inc. The dissemination use or duplication of this information, for any purpose other than that for which the information is provided, is prohibited except by express written permission.

All dimensions are in inches and have a +/- .015" tolerance unless otherwise specified.

Rev: 0

Pg. 1 of 1

Release Date: 06/12/20

Third Angle Projection

